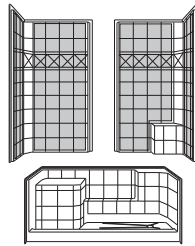
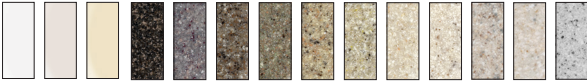


SAFE. ACCESSIBLE.  
BATHING SOLUTIONS.

MyPlace™ AcrylX™ multi-piece showers

**UPGRADE** to solid surface



**MP 6032 SH IS 3P 4.0 L/R**

OUTER DIMENSION	60" x 33" x 77"
ENCLOSURE (up to)	55.75" x 71"
THRESHOLD	4" EasyStep™
DRAIN	Left or Right
HANDED	Seat L/R
SHIPPING WEIGHT	300
LOAD FACTOR	0.97
TRUCK LOAD FACTOR	0.97



EasyStep™  
Threshold



Solid Surface  
Finish



AcrylX™  
Finish

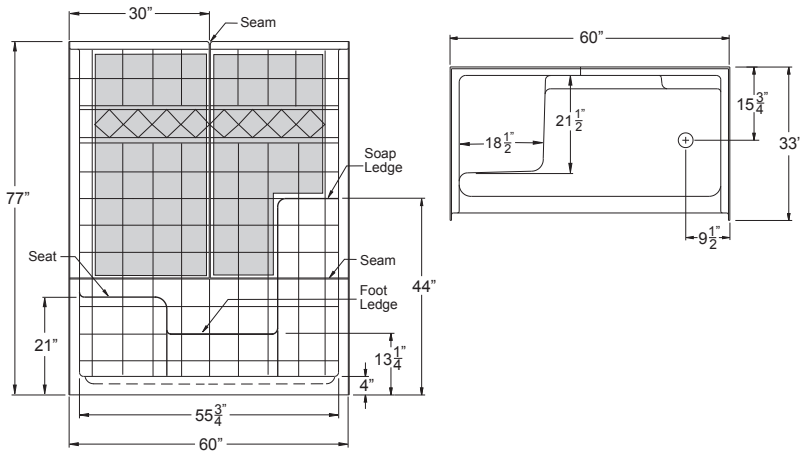
NOTES

**CODES** IPC, UPC, ANSI Z 124.2 NAHB, HUD and FHA.

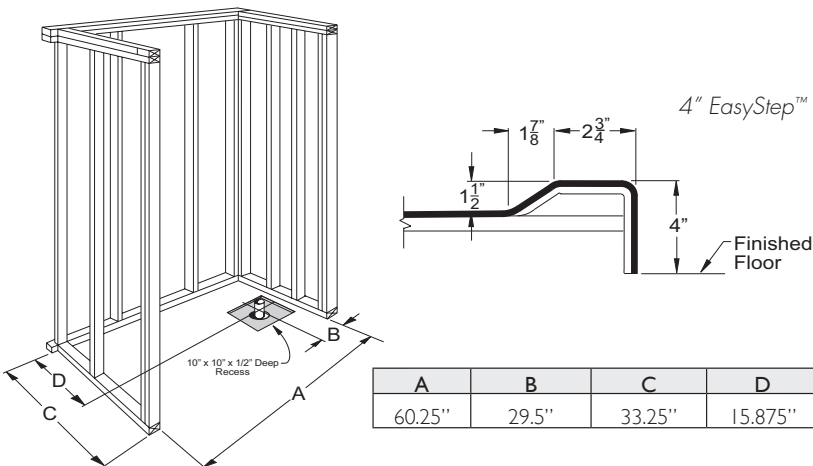
**BACKING** All multi-piece showers are offered standard with reinforced walls.

**RAPID SHIP** All multi-piece showers are in stock for rapid shipment - ships in four business days.

**WARRANTY** All multi-piece showers are offered with an unprecedented lifetime limited warranty.



gray shading represents wood backing



A	B	C	D
60.25"	29.5"	33.25"	15.875"

Due to the nature of the materials, dimensions may vary +/- 0.5".



THE PRAXIS COMPANIES | praxiscompanies.com  
customer service 800.443.7269