

SAFE. ACCESSIBLE.  
BATHING SOLUTIONS.

MyPlace™ AcrylX™ multi-piece showers

MP 6030 SH 5P 4.0 L/R

OUTER DIMENSION	60" x 31" x 79.5"
ENCLOSURE (up to)	57.75" x 71"
THRESHOLD	4" EasyStep™
DRAIN	Left or Right
HANDED	Drain
SHIPPING WEIGHT	437
LOAD FACTOR	2.4
TRUCK LOAD FACTOR	0.64



EasyStep™  
Threshold



AcrylX™  
Finish

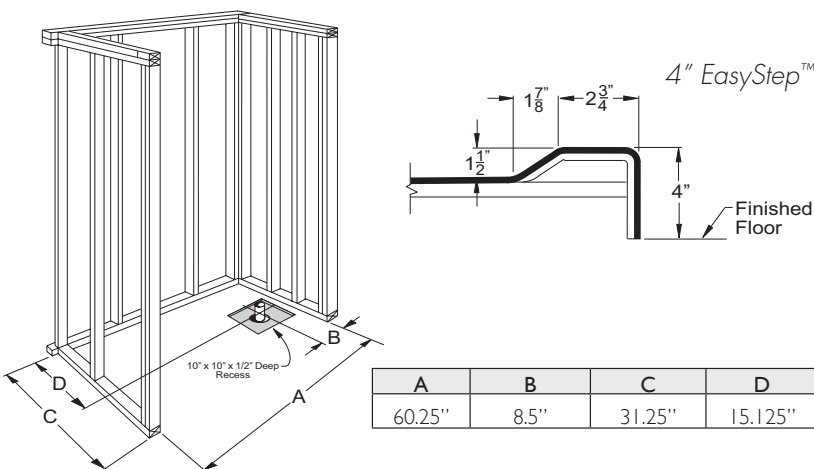
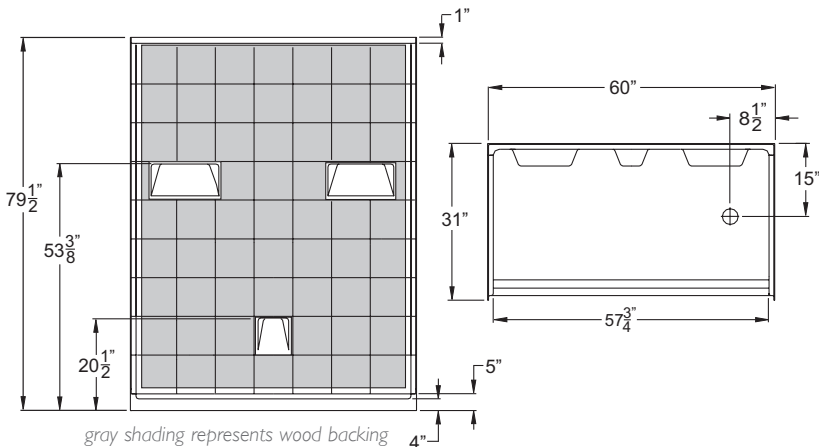
NOTES

CODES ANSI Z 124.2 HUD, FHA, CSA, NAHB-(Home Innovation Research Lab)

WOOD BACKING All multi-piece showers are offered standard with wood reinforced walls.

RAPID SHIP All multi-piece showers are in stock for rapid shipment - ships in four business days.

WARRANTY All multi-piece showers are offered with an unprecedented thirty year limited warranty.



Due to the nature of the materials, dimensions may vary +/- 0.5".



THE PRAXIS COMPANIES | praxiscompanies.com  
customer service 800.443.7269