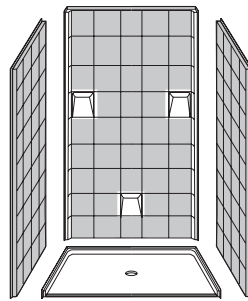


SAFE. ACCESSIBLE.  
BATHING SOLUTIONS.

## MyPlace™ AcrylX™ multi-piece showers

### MP 4836 BF 4P .875 C



OUTER DIMENSION	48" x 37" x 78"
ENCLOSURE (up to)	45.75" x 72.75"
THRESHOLD	0.875" COL*
DRAIN	Center
HANDED	Drain
SHIPPING WEIGHT	426
LOAD FACTOR	2.4
TRUCK LOAD FACTOR	0.75



Barrier Free  
Threshold



AcrylX™  
Finish

#### NOTES

\*COL Change of level threshold has a manageable 0.25" vertical rise to easily coordinate with minimum finished flooring.

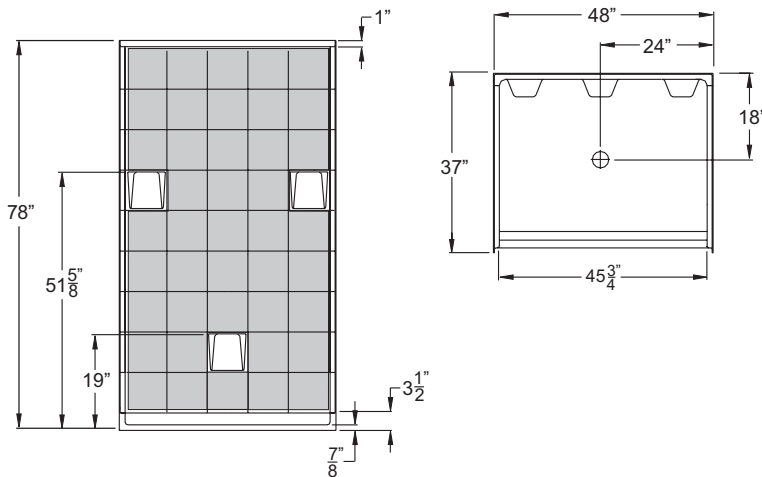
CODES IPC, UPC, ANSI Z 124.2 NAHB, HUD and FHA.

EasyBase™ Self-supporting and pre-levelled shower base, EasyBase™, is standard on all barrier free multi-piece showers. EasyBase™ is not offered on EasyStep™ models.

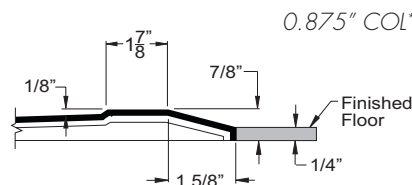
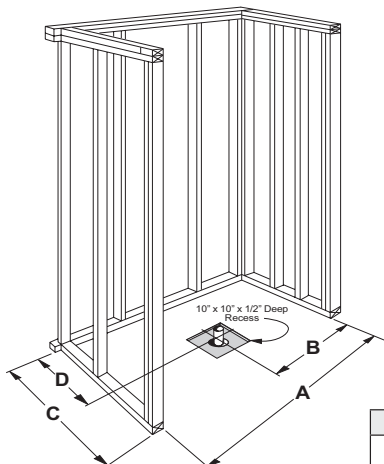
BACKING All multi-piece showers are offered standard with reinforced walls.

RAPID SHIP All multi-piece showers are in stock for rapid shipment - ships in four business days.

WARRANTY All multi-piece showers are offered with an unprecedented lifetime limited warranty.



gray shading represents wood backing



A	B	C	D
48.25"	24.125"	37.25"	18.125"

Due to the nature of the materials, dimensions may vary +/- 0.5".

**My Place**  
Solutions For Everyday Living

THE PRAXIS COMPANIES | praxiscompanies.com  
customer service 800.443.7269