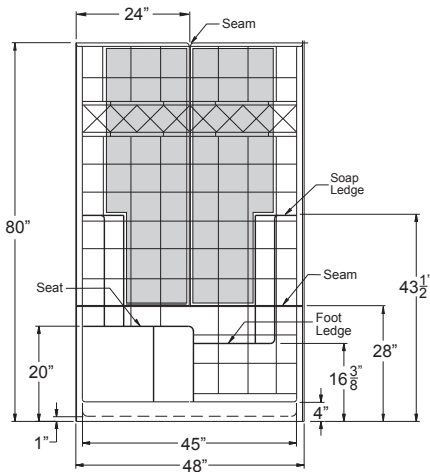
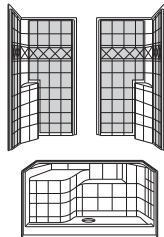
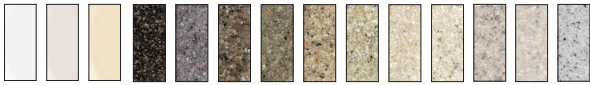
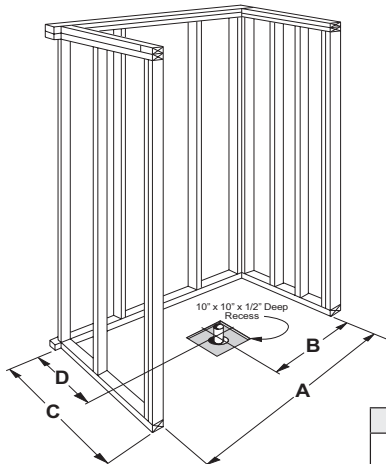
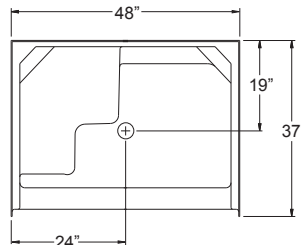


SAFE. ACCESSIBLE.  
BATHING SOLUTIONS.

**UPGRADE** to solid surface



gray shading represents wood backing



A	B	C	D
48"	24"	37"	19"

Due to the nature of the materials, dimensions may vary +/- 0.5".

**MyPlace™ AcrylX™** multi-piece showers

**MP 3648 SH IS 3P 4.0**

OUTER DIMENSION	48" x 37" x 79.5"
ENCLOSURE (up to)	45" x 74"
THRESHOLD	4" EasyStep™
DRAIN	Center
HANDED	Seat L/R
SHIPPING WEIGHT	170
LOAD FACTOR	0.97
TRUCK LOAD FACTOR	0.97



EasyStep™  
Threshold



Solid Surface  
Finish



AcrylX™  
Finish

NOTES

**CODES** IPC, UPC, ANSI Z 124.2 NAHB, HUD and FHA.

**BACKING** All multi-piece showers are offered standard with reinforced walls.

**RAPID SHIP** All multi-piece showers are in stock for rapid shipment - ships in four business days.

**WARRANTY** All multi-piece showers are offered with an unprecedented lifetime limited warranty.



THE PRAXIS COMPANIES | praxiscompanies.com  
customer service 800.443.7269