



Accessible Showers

DOME TOP ACRYLIC

AQUARIUS BATHWARE™

H 6036 SH

OD: 60" x 36" x 84"

Weight: 230

Load Factor: 1.26

Handed By: Center Drain or Seat Side

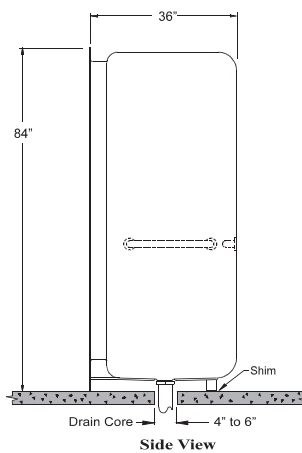
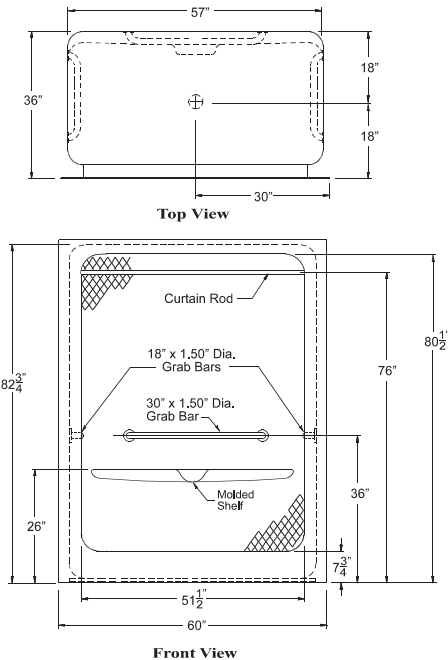
This unit complies with ANSI Z124.2, ASTM F462, ASTM E84, SBCCI, NAHB.

Warranty: Gelcoat models have a 3 year limited warranty. Acrylic models have a 5 year limited warranty. Pumps, parts, and accessories 1 year limited warranty. For further details please refer to the complete warranty section.

Due to the nature of the materials, dimensions may vary +/- 1/2".



Photograph Illustrates Package One - Center Drain



FRAMING DIMENSIONS

A	B	C	D
60 1/4"	36"	18"	18"

• Refer to pages 67 & 68 to view corresponding framing detail.

PKG ONE - ACCESSIBLE: H 6036 SH

- 7.75" Threshold
- Handed by Center Drain
- Shim
- White Premium Cast Acrylic

Factory Installed Accessories (Valve not included):

- S-Bar - 18" x 1.5" Smooth SS
- S-Bar - 18" x 1.5" Smooth SS
- S-Bar - 30" x 1.5" Smooth SS
- 1" OD 18 Gauge SS Grommet Style Curtain Rod

PKG TWO - ACCESSIBLE: H 6036 SH

- 7.75" Threshold
- Handed by Seat L/R
- Shim
- White Premium Cast Acrylic

Factory Installed Accessories (Valve not included):

- S-Bar - 18" x 1.5" Smooth SS
- S-Bar - 18" x 1.5" Smooth SS
- S-Bar - 30" x 1.5" Smooth SS
- 28.5" x 21" White Frameless HDPE RAD Seat
- 1" OD 18 Gauge SS Grommet Style Curtain Rod

BUILD TO ORDER BASE PLUS ACCESSORIES

BASE UNIT 1: H 6036 SH

- Specify Threshold Height
- Handed by Center Drain or Seat Side
- Shim
- Reinforced for Standard Accessories

BASE UNIT OPTIONAL ACCESSORIES

Standard Finish - Premium Cast Acrylic:

- White
- Bone
- Biscuit

Grab Bars

- S-Bar - 18" x 1.5" Smooth SS
- S-Bar - 18" x 1.25" Smooth White CC
- S-Bar - 18" x 1.25" Peened SS
- S-Bar - 30" x 1.5" Smooth SS
- S-Bar - 30" x 1.25" Smooth White CC
- S-Bar - 30" x 1.25" Peened SS

Standard Seats

- Acrylic Molded Seat L/R
- 28.5" x 21" White Frameless HDPE RAD Seat
- 28.5" x 21" White Frameless Padded RAD Seat
- 28.5" x 21" Woodgrain Frameless Phenolic RAD Seat

Factory Modifications

- Modified Drain Location - Specify Location
- Domelight Drilling
- Valve Drilling - Specify Hole Size
- Nurse Call Box Drilling - Specify Location
- Square Opening for Shower Door
- Modified 32" Inside Depth
- Modified 34" Inside Depth
- 4" Threshold
- 7.75" Threshold
- Wood Reinforcement for HUD
- Full Wood Reinforcement
- Install 30" Slide Bar / HS Kit
- Install SS Soap Dish - Recessed
- Install Standard Symmons Valve Package
- ArmorShield P3 Protection
- 1" OD 18 Gauge SS Grommet Style Curtain Rod
- 1" OD 18 Gauge White Grommet Style Curtain Rod

Field Installed Accessories (Shipped Loose)

- No Caulk Drain - Chrome
- Curtain - Premium 66" x 72" White Nylon Weighted
- Curtain - Heavy Duty 66" x 72" White Vinyl Weighted
- Dome Light - Voltage 144 Standard
- Dome Light - Voltage 277

rev. 092710



HDPE (high density polyethylene) seats used by Praxis Companies, LLC contain recycled materials.