



# Accessible Showers

DOME TOP ACRYLIC

AQUARIUS BATHWARE™

## H 4836 SH

OD: 48" x 35.5" x 84"

Weight: 200

Load Factor: 1.06

Handed By: Valve Wall L/R

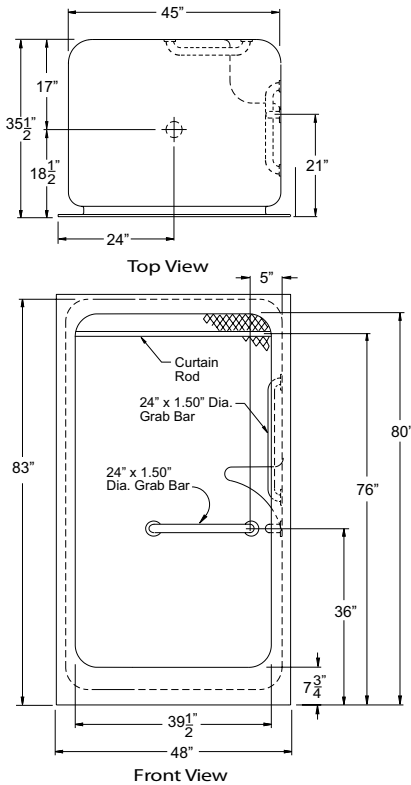
This unit complies with ANSI Z124.2, ASTM F462, ASTM E84, SBCCI, NAHB.

Warranty: Gelcoat models have a 3 year limited warranty. Acrylic models have a 5 year limited warranty. Pumps, parts, and accessories 1 year limited warranty. For further details please refer to the complete warranty section.

Due to the nature of the materials, dimensions may vary +/- 1/2".



Photograph Illustrates Package One - Handed by Valve Wall Left



A	B	C	D
48 1/4"	35 1/2"	17"	18 1/2"

Refer to pages 67 & 68 to view corresponding framing detail.

## PKG ONE - ACCESSIBLE: H 4836 SH

- 7.75" Threshold
- Handed by Valve Wall L/R
- Shim
- White Premium Cast Acrylic

### Factory Installed Accessories (Valve not included):

- S-Bar - 18" x 1.5" Smooth SS
- S-Bar - 24" x 1.5" Smooth SS
- S-Bar - 24" x 1.5" Smooth SS
- 1" OD 18 Gauge SS Grommet Style Curtain Rod

Due to the compact size of this product, the floor space does not conform to IRC, IPC and UPC codes.

## BUILD TO ORDER BASE PLUS ACCESSORIES

### BASE UNIT 1: H 4836 SH

- Specify Threshold Height
- Handed by Valve Wall L/R
- Shim
- Reinforced for Standard Accessories

## BASE UNIT OPTIONAL ACCESSORIES

### Standard Finish - Premium Cast Acrylic:

- White
- Bone
- Biscuit

### Grab Bars

- S-Bar - 18" x 1.5" Smooth SS
- S-Bar - 18" x 1.25" Smooth White CC
- S-Bar - 18" x 1.25" Peened SS
- S-Bar - 24" x 1.5" Smooth SS
- S-Bar - 24" x 1.25" Smooth White CC
- S-Bar - 24" x 1.25" Peened SS

### Standard Seats

- Acrylic Molded Seat L/R
- 28.5" x 21" White Frameless HDPE RAD Seat
- 28.5" x 21" White Frameless Padded RAD Seat
- 28.5" x 21" Woodgrain Frameless Phenolic RAD Seat

### Factory Modifications

- Modified Drain Location - Specify Location
- Domelight Drilling
- Valve Drilling - Specify Hole Size
- Nurse Call Box Drilling - Specify Location
- Square Opening for Shower Door
- Modified 32" Inside Depth
- Modified 34" Inside Depth
- 4" Threshold
- Wood Reinforcement for HUD
- Full Wood Reinforcement
- Install 30" Slide Bar / HS Kit
- Install SS Soap Dish - Recessed
- Install Standard Symmons Valve Package
- 1" OD 18 Gauge SS Grommet Style Curtain Rod
- 1" OD 18 Gauge White Grommet Style Curtain Rod

### Field Installed Accessories (Shipped Loose)

- No Caulk Drain - Chrome
- Curtain - Premium 54" x 72" White Nylon Weighted
- Curtain - Heavy Duty 54" x 72" White Vinyl Weighted
- Dome Light - Voltage 144 Standard
- Dome Light - Voltage 277

rev. 09.2210



HDPE (high density polyethylene) seats used by Praxis Companies, LLC contain recycled materials.