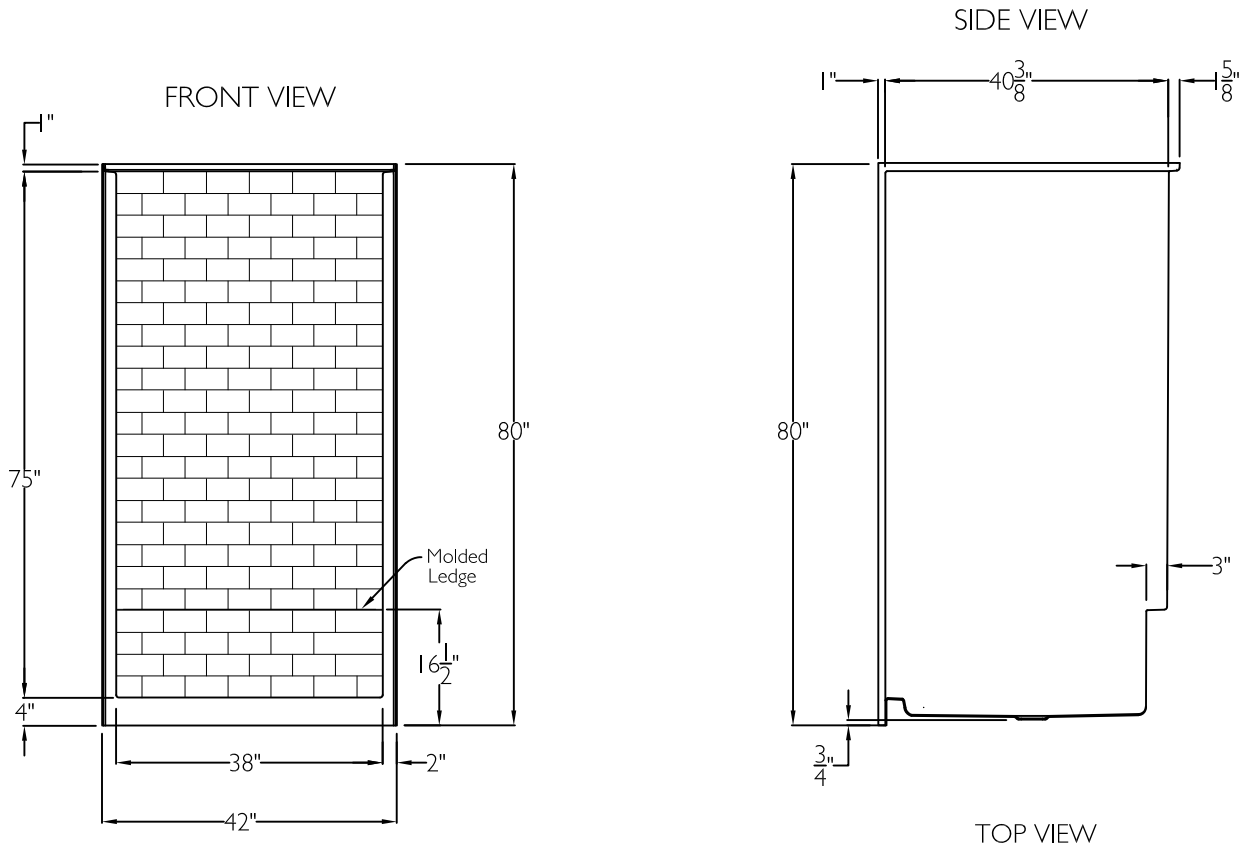


# Luxury Acrylic Series

## SUBMITTAL DATA

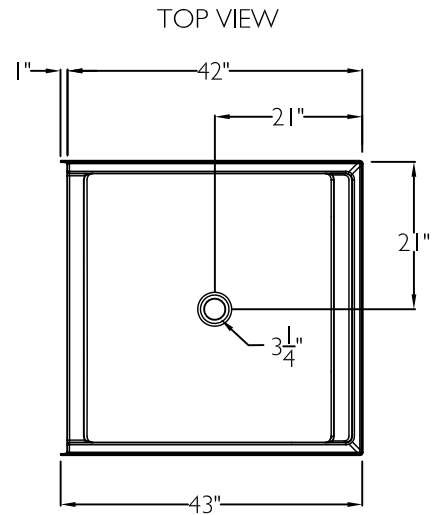


### Simulated Tile Shower

This shower enclosure shall be Praxis Model G14242 SH SST center drain. Finished surface shall be of sanitary-grade applied acrylic. The unit shall have outside dimensions of 42" x 43" x 80". The unit shall comply with ANSI Z124.1.2 and CSA B45.5.

The enclosure shall be equipped with the following factory installed accessories:

- 1) Molded ledge low along the back wall,
- 2) Subway tile pattern on walls,
- 3) Center drain location,
- 4) Standard rough-in,
- 5) 4.0 threshold.



DUE TO THE NATURE OF THE MATERIALS DIMENSIONS MAY VARY +/- 1/2"

Job Name:	<b>PRAXIS</b>	
Approved By Print Name:	Date Approved:	Drawing #: G 14242 SH SST
Approved By Signature:	Wholesaler:	Date: 4-10-20.      Revised: 6-19-20
Rep:	Quote No:	