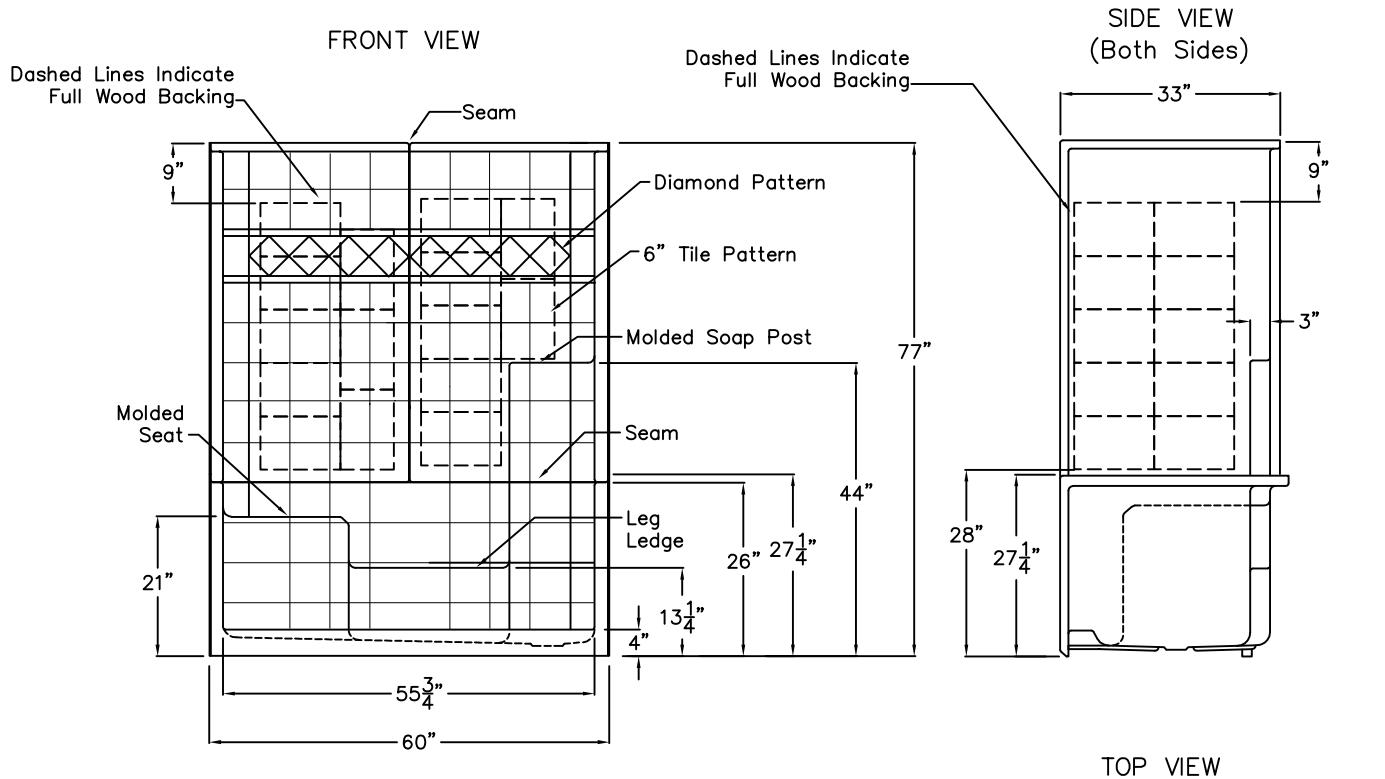


Luxury Acrylic Series

SUBMITTAL DATA



Sectional Shower

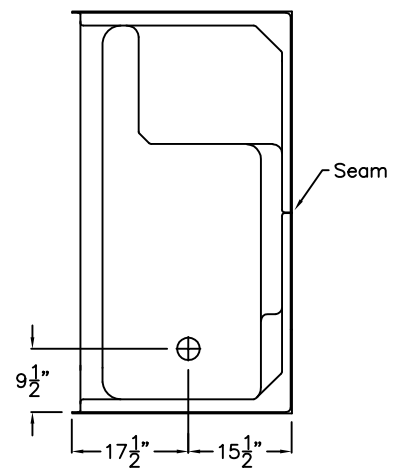
This shower enclosure shall be Choose Home Model CHM 6032 SH 3P 1S right, or left. Finished surface shall be of sanitary-grade applied acrylic. The unit shall have outside dimensions of 60" x 33" x 77". The unit shall meet IAPMO Z124-2011, and CSA B45.5-11.

The enclosure shall be equipped with the following factory installed accessories:

- 1) Full wood backing on all walls,
- 2) Molded corner soap dishes,
- 3) Molded leg ledge on the back wall,
- 4) Three piece sectional design,
- 5) Tile pattern,
- 6) Diamond accents,
- 7) 4.0" threshold.

Available options:

- 1) Hand held shower set (includes: swivel connector, 60" flex hose, 30" slide bar, brass nipple, locknut, wall brackets, and shower outlet),
- 2) Pressure balance valve,
- 3) Green anti-bacterial shower curtain with hooks,
- 5) White weighted shower curtain with hooks,
- 6) Drain,
- 7) Grab bars.



DUE TO THE NATURE OF THE MATERIALS
DIMENSIONS MAY VARY ± 1/2"

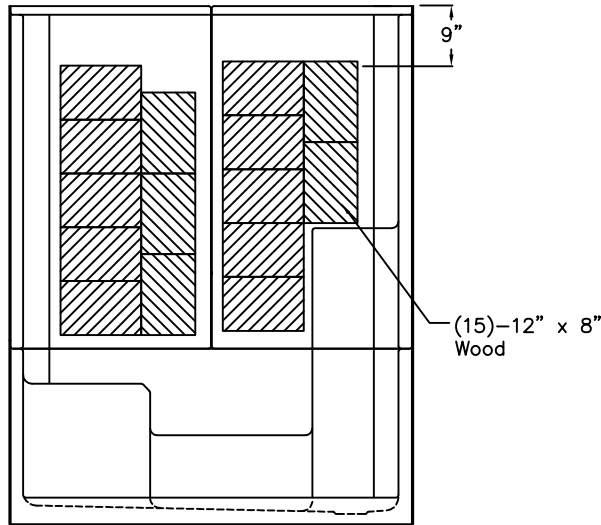
Job Name:	AQUARIUS		
Approved By Print Name:	Drawing#: CHM 6032 SH 1S 3P 4.0 FWB		
Approved By Signature:	Date:	Date: 8-22-08	Revised: 10-3-16
Rep.:	Wholesaler:	Quote No.:	

PRAXIS INDUSTRIES, LLC.
435 INDUSTRIAL RD - SAVANNAH, TN 38372
1 (800) 443-7269 - FAX (731) 925-4290

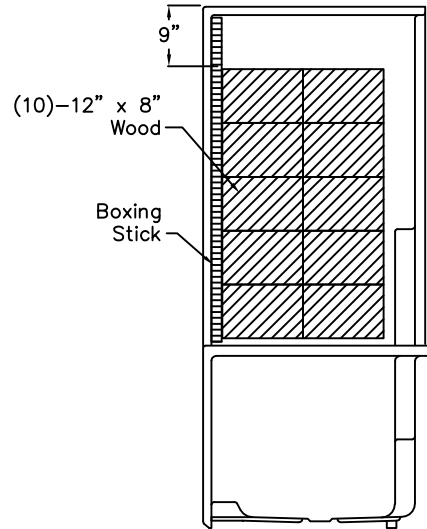
Board Placement Drawing

SUBMITTAL DATA

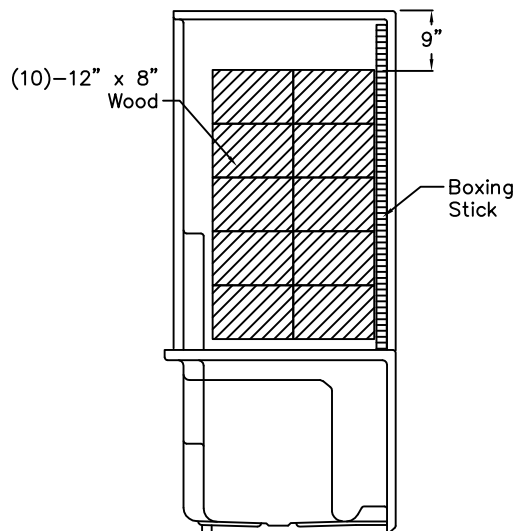
FRONT VIEW



SIDE VIEW



SEAT SIDE VIEW



DUE TO THE NATURE OF THE MATERIALS
DIMENSIONS MAY VARY ± 1/2"

Job Name:

AQUARIUS

Approved by Print Name:

Drawing#: CHM 6032 SH 1S 3P 4.0 FWB-BP

Approved by Signature:

Date:

Date: 5-8-07.

Revised: 10-3-16

Rep.:

Wholesaler:

Quote No.:

PRAXIS INDUSTRIES, LLC.
435 INDUSTRIAL RD - SAVANNAH, TN 38372
1 (800) 443-7269 - FAX (731) 925-4290