

CUSTOMER: _____

JOB NAME: _____

PO #: _____ QUOTE # _____

DATE: _____ QUANTITY: L _____ R _____

SHIP TO: _____

One Signature Required

PLUMBING CONTRACTOR APPROVAL _____ /_____/_____
DATE

GENERAL CONTRACTOR APPROVAL _____ /_____/_____
DATE

ENGINEER APPROVAL _____ /_____/_____
DATE

ARCHITECT APPROVAL _____ /_____/_____
DATE

To complete your order, this document must be signed and emailed to the Centralized Customer Service Center.
quotes@americanbathgroup.com • 800.443.7269

STANDARD FEATURES

- Pre-leveled base
- AcrylX™ applied acrylic surface
- 1/2" skirt
- 1/2" COL exterior threshold
- Compliant when properly installed
- Center front drain outlet
- Integral front trench drain
- 12" x 24" subway tile
- Slip resistant, textured bottom [ASTM F-462]

CONFIGURATION (handed by fixture wall)

- Shell reinforced for future accessory installation
Fixture wall LH RH Back wall
 Optional vertical bar reinforcement (entry wall)
 LH RH Both
- Fully configured — ADA
Fixture Wall (must choose one) LH RH Back Wall
Includes two stainless steel 24" x 1 1/2" grab bars located on the side wall and one stainless steel 48" x 1 1/2" grab bar located on the back wall, per ADA guidelines. (std config)
 Factory-installed plumbing options per ADA requirements
 Hand-held shower assembly, 30" slide bar and 60" hose
 Pressure balancing mixing valve

CUSTOM OPTIONS (not available if ADA configuration is selected)

- Grab bars:
- Horizontal U-shaped bars: 24" (side walls), 48" (back wall)
 - Vertical bar 24" (entry wall) LH RH Both
- Grab Bar finish:
- Stainless steel (1 1/2" dia.)
 - Powder-coated white (1 1/4" dia.)
- Factory-installed plumbing options per ADA requirements
 Hand-held shower assembly, 30" slide bar and 60" hose
 Pressure balancing mixing valve
Fixture wall LH RH Back wall
- Grate:
- Stainless steel
 - White

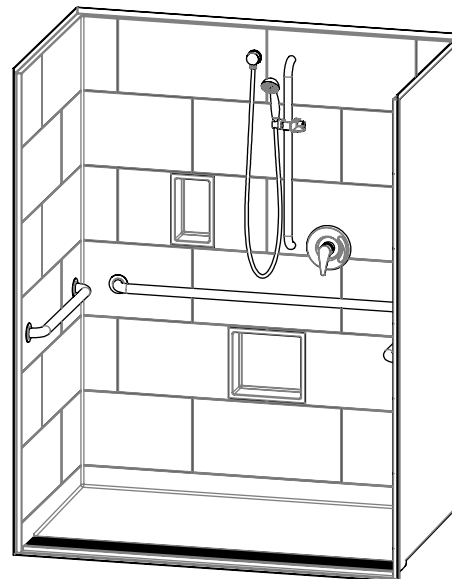
Int. Dim.	60 W x 36 D x 76 3/4 H
Ext. Dim.	62 1/2 W x 38 1/8 D x 78 3/4 H
Skirt Ht.	1/2 skirt, 1/2 COL exterior threshold
Packaged Wt.	210 lbs.
Material	AcrylX™ applied acrylic
Warranty	30-year warranty*

* See terms and conditions for details

inches

OPTIONAL ACCESSORIES (available for all models)

- Stainless steel vertical bar 24" x 1 1/2" (entry wall)
 LH RH Both
 - Large soap dish (12 1/2 W x 3 1/2 D x 1 1/2 H), shipped loose
 - Small soap dish (7 W x 3 1/2 D x 1 1/2 H), shipped loose
 - Curtain rod, shipped loose
 - Shower curtain, shipped loose
 - Brass drain
- Colors:
- Standard White
 - Upgraded Biscuit Bone
 - Other (contact customer service for custom color options)
- Additional accessories:



Back wall right fixture placement configuration shown with optional soap dish

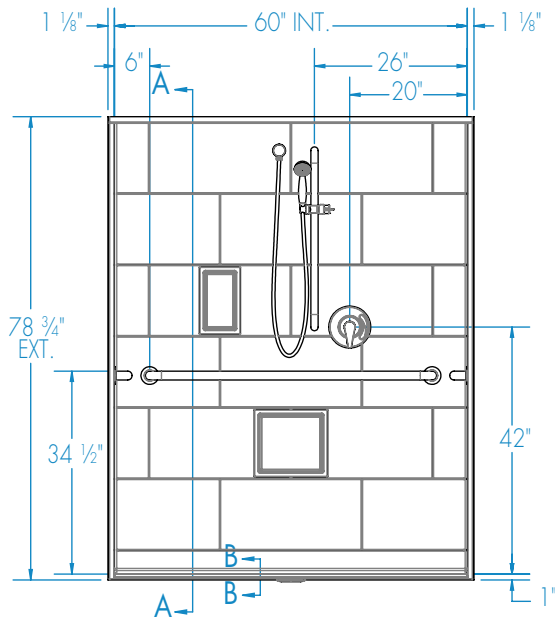
This unit is not suitable for behavioral health applications.



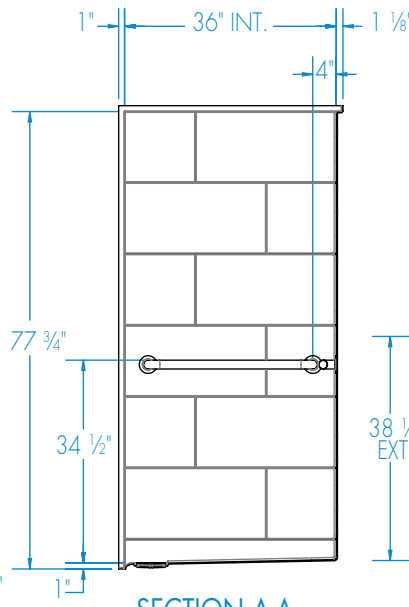


This unit is not suitable for behavioral health applications.

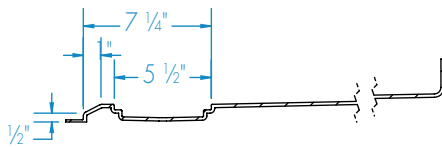
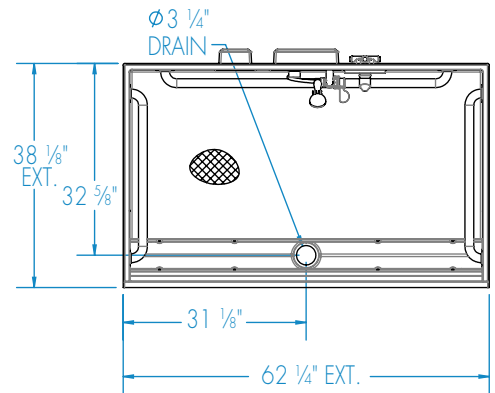
ADA compliant when fully equipped and installed according to guidelines.



SECTION B-B
(Trench grate (Included) not shown)



SECTION A-A



FEATURES lbs Dimensional Tolerance $\pm \frac{3}{8}$ ". Dimensions needed for site preparation should be measured from the unit. Manufacturer assumes no responsibility for preparatory work.

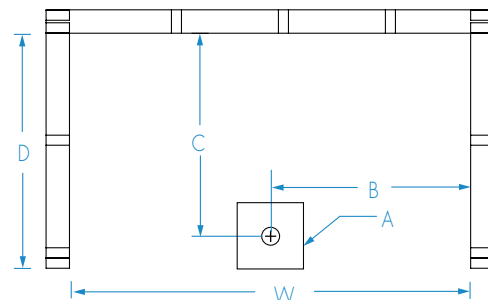
Type and Model #	Material	Wall Finish	Pieces	Drain	Dam/Skirt Height	Net Wt.	Pkg. Wt.
Shower XST6036TR COL 1.0	AcrylX™ applied acrylic	Smooth tile	1	Center Front	1" COL skirt	200	210

DIMENSIONS

Specifications	inches
Width: Ext. / Int.	62 1/4 / 60
Depth: Ext. / Int.	38 1/8 / 36
Height: Ext. / Int.	78 3/4 / 76 3/4
Enclosure Opening:	60
Skirt Height:	1
Drain Rough-In (from Back Wall)	32 5/8
Drain Rough-In (from Side Wall)	31 1/8

FRAMING DIMENSIONS inches (mm)

Type	D Depth	W Width	H Height	A	B	C
Alcove	38 1/8	62 1/4	-	Box Out	31 1/8	32 5/8



EMAIL TO THE CENTRALIZED CUSTOMER SERVICE CENTER: quotes@americanbathgroup.com