

CUSTOMER: _____

JOB NAME: _____

PO #: _____ QUOTE # _____

DATE: _____ QUANTITY: L _____ R _____

SHIP TO: _____

One Signature Required

_____/_____/_____
PLUMBING CONTRACTOR APPROVAL DATE

_____/_____/_____
GENERAL CONTRACTOR APPROVAL DATE

_____/_____/_____
ENGINEER APPROVAL DATE

_____/_____/_____
ARCHITECT APPROVAL DATE

To complete your order, this document must be signed and emailed to the Centralized Customer Service Center.
quotes@americanbathgroup.com • 800.443.7269

STANDARD FEATURES

- Pre-leveled base
- AcrylX™ applied acrylic surface
- 1 1/8" skirt
- Compliant when properly installed
- Center front drain outlet
- Integral front trench drain
- 12" x 24" subway tile
- Slip resistant, textured bottom [ASTM F-462]

Int. Dim.	60 W x 30 D x 76 5/8 H
Ext. Dim.	62 1/4 W x 32 1/8 D x 78 3/4 H
Skirt Ht.	1 1/8 skirt
Packaged Wt.	210 lbs.
Material	AcrylX™ applied acrylic
Warranty	30-year warranty*

* See terms and conditions for details

inches

CONFIGURATION (handed by the seat)

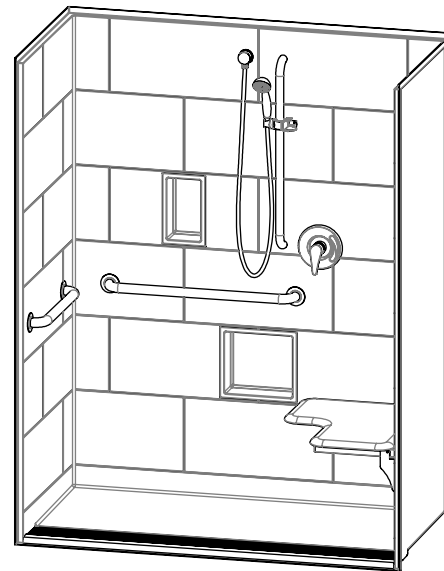
- Shell reinforced for future accessory installation
Seat Wall LH RH
- Optional vertical bar reinforcement (entry wall)
 LH RH Both
- Fully configured — ADA/ANSI
Seat Wall (must choose one) LH RH
Includes one stainless steel 20" x 1 1/2" grab bar located on the side wall, one stainless steel 30" x 1 1/2" grab bar located on the back wall, stainless steel grate and cushioned, white, L-shaped fold-up seat, per ADA/ANSI guidelines. (std config)
- Factory-installed plumbing options per ADA requirements
 Hand-held shower assembly, 30" slide bar and 60" hose
- Pressure balancing mixing valve

OPTIONAL ACCESSORIES (available for all models)

- Stainless steel vertical bar 24" x 1 1/2" (entry wall)
 LH RH Both
- Large soap dish (12 1/2 W x 3 1/2 D x 1 1/2 H), shipped loose
- Small soap dish (7 W x 3 1/2 D x 1 1/2 H), shipped loose
- Curtain rod, shipped loose
- Shower curtain, shipped loose
- Brass drain
- Colors:
Standard White
Upgraded Biscuit Bone
 Other (contact customer service for custom color options)
- Additional accessories: _____

CUSTOM OPTIONS (not avail. if ADA/ANSI configuration is selected)

- Handed by the seat LH RH
- Reinforced for future seat installation
- L-shaped fold-up seat
 Cushioned white Phenolic teak Phenolic white
- Grab bars:
 Horizontal L-shaped bars: 20" (side wall) and 30" (back wall)
 LH RH
- Vertical bar 24" (entry wall) LH RH Both
- Grab Bar finish:
 Stainless steel (1 1/2" dia.)
 Powder-coated white (1 1/4" dia.)
- Factory-installed plumbing options per ADA requirements
 Hand-held shower assembly, 30" slide bar and 60" hose
- Pressure balancing mixing valve
- Grate:
 Stainless steel
 White



Right hand configuration
shown with optional soap dish

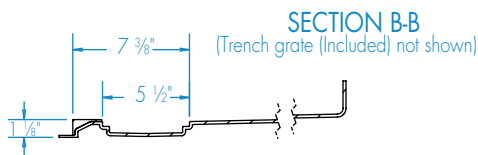
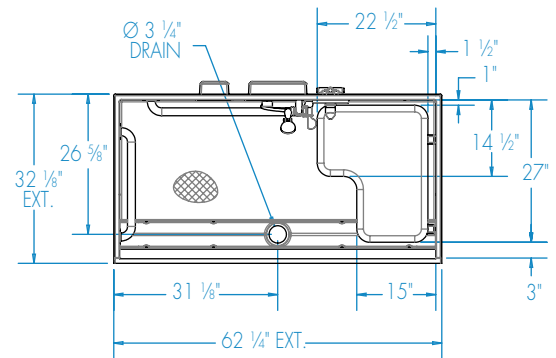
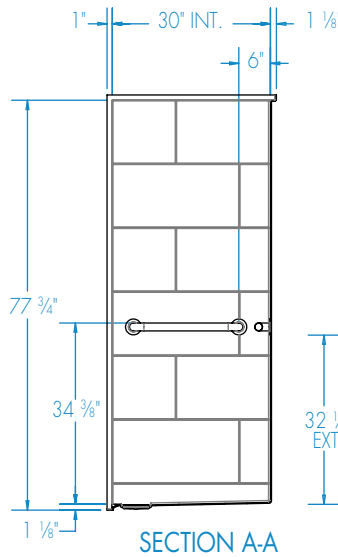
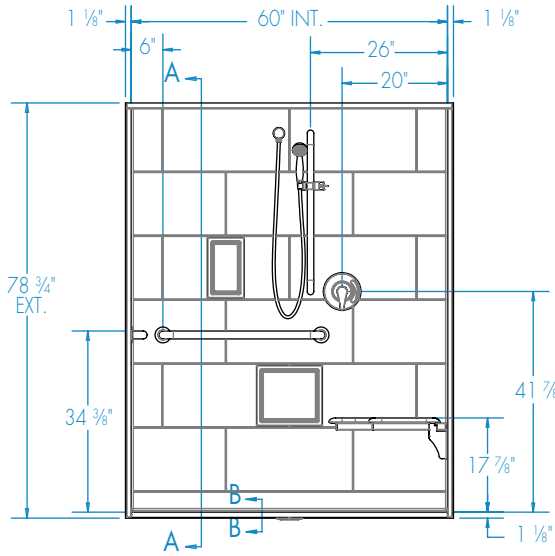
This unit is not suitable for behavioral health applications.



ADA/ANSI compliant when fully equipped and installed according to guidelines.



This unit is not suitable for behavioral health applications.



FEATURES lbs Dimensional Tolerance $\pm \frac{3}{16}$ ". Dimensions needed for site preparation should be measured from the unit. Manufacturer assumes no responsibility for preparatory work.

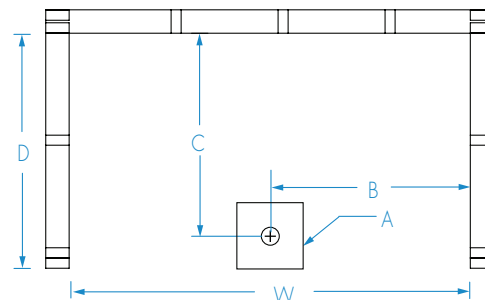
Type and Model #	Material	Wall Finish	Pieces	Drain	Dam/Skirt Height	Net Wt.	Pkg. Wt.
Shower XST6030TR 1.125	AcrylX™ applied acrylic	Smooth tile	1	Center Front	1 1/8" skirt	200	210

DIMENSIONS

Specifications	inches
Width: Ext. / Int.	62 1/4 / 60
Depth: Ext. / Int.	32 1/8 / 30
Height: Ext. / Int.	78 3/4 / 76 5/8
Enclosure Opening:	60
Skirt Height:	1 1/8
Drain Rough-In (from Back Wall)	26 3/8
Drain Rough-In (from Side Wall)	31 1/8

FRAMING DIMENSIONS inches (mm)

Type	D Depth	W Width	H Height	A	B	C
Alcove	32 1/8	62 1/2	-	Box Out	31 1/8	26 3/8



EMAIL TO THE CENTRALIZED CUSTOMER SERVICE CENTER: quotes@americanbathgroup.com