

SB4836 – ICON SHOWER PANS

48 x 36 x 3 inches



FEATURES

- ArmorCore™ slip resistant, textured bottom
- Center drain
- Low 3" threshold
- Integrated weep holes
- Sloped threshold ensures water containment
- Pre-leveled legs, no mortar bed required
- Sleek minimalist design
- AcrylX™ applied acrylic surface
- Lifetime limited warranty

OPTIONS

- Brass drain assembly and cover

COLOR OPTIONS

Standard

White

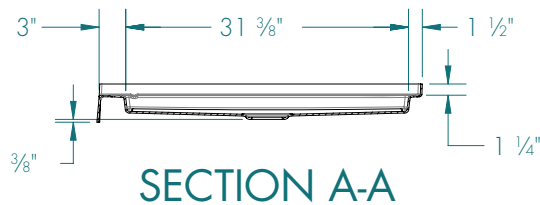
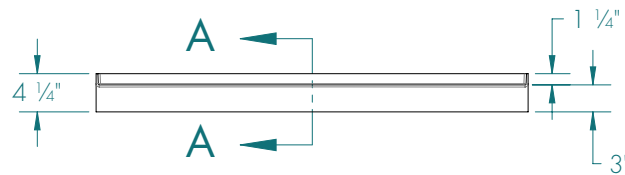
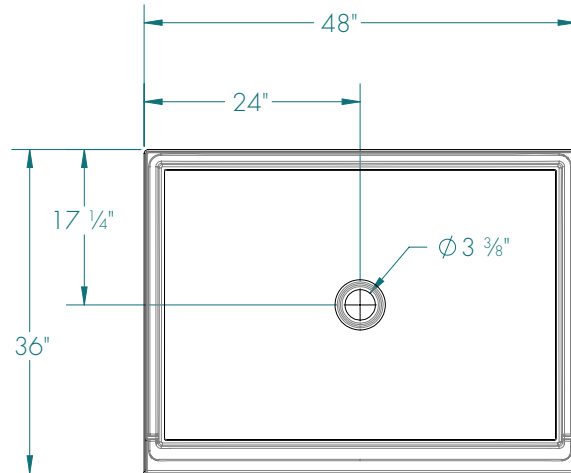


PRAXIS



SB4836

48 x 36 x 3
inches



FEATURES Dimensional Tolerance $\pm 3/8"$. Dimensions needed for site preparation should be measured from the unit. Manufacturer assumes no responsibility for preparatory work.

| Model # | Material | Drain | Net Wt. lbs. | Pkg. Wt. lbs. |
|--------------------|----------|--------|-----------------|------------------|
| Shower Pan #SB4836 | AcrylX™ | Center | 62 | — |

DIMENSIONS

| Specifications | inches |
|--|-------------|
| Width: Overall / Net | 48 |
| Depth: Overall / Net | 36 |
| Height: Overall / Net | 4 1/4 / 3 |
| Enclosure Opening | — |
| Skirt Height | 3 |
| Drain Rough-In (from Back Wall) | 17 1/4 |
| Drain Rough-In (from Side Wall) | 24 |
| Drain: Diameter / Clearance | 3 3/8 / 3/8 |

FRAMING DIMENSIONS inches

| Type | D Depth | W Width | H Height | A | B | C |
|--------|------------|------------|-------------|---------|----|--------|
| Alcove | 36 | 48 | — | Box Out | 24 | 17 1/4 |

