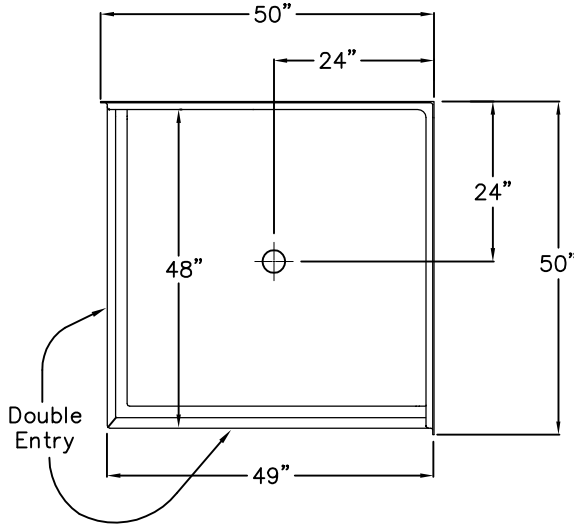


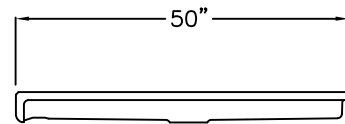
# Comfort Series

## SUBMITTAL DATA

TOP VIEW



SIDE VIEW



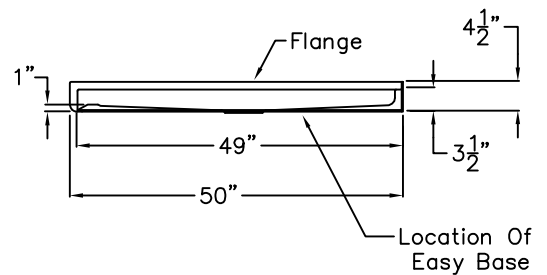
### Double Entry Shower Pan

This shower pan shall be Aquarius Model MPB 4848 BF DE 1.0 center drain. Finished surface shall be of sanitary-grade applied acrylic. The unit shall have outside dimensions of 49" x 50" x 4 1/2". The unit shall meet IAPMO Z124-2011, and CSA B45.5-11.

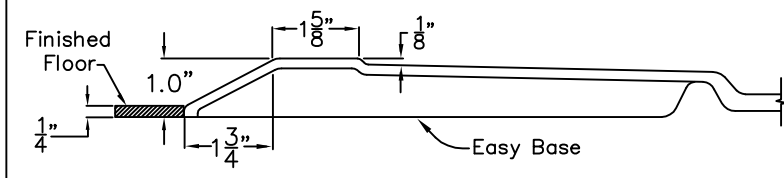
The enclosure shall be equipped with the following factory installed accessories:

- 1) Center drain location,
- 2) Factory installed Easy Base self sustaining bottom,
- 3) Double entry 1.0" threshold.

FRONT VIEW



### Detail of 1.0" Threshold



DUE TO THE NATURE OF THE MATERIALS  
UNIT DIMENSIONS MAY VARY ± 1/2 INCH

Job Name:

AQUARIUS

Approved By Print Name:

Drawing#: MPB 4848 BF DE 1.0 PAN

Approved By Signature:

Date Approved:

Date: 5-29-14

Revised: 6-24-14

Rep.:

Wholesaler:

Quote No.

PRAXIS INDUSTRIES, INC.  
ROUTE 1, BOX 46D - SAVANNAH, TN 38372  
1 (800) 443-7269 - FAX (901) 925-4290