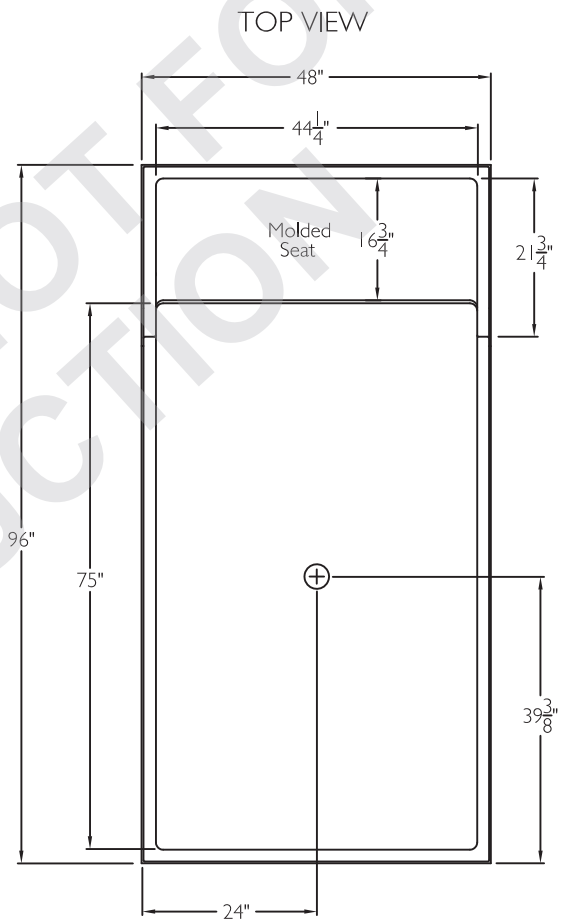
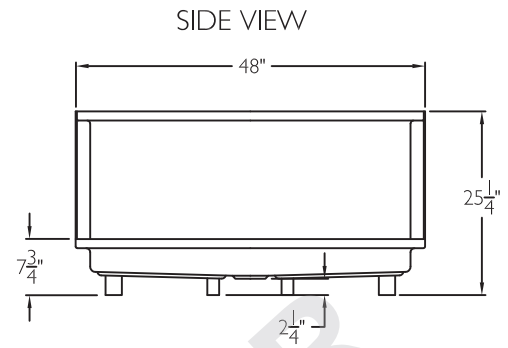
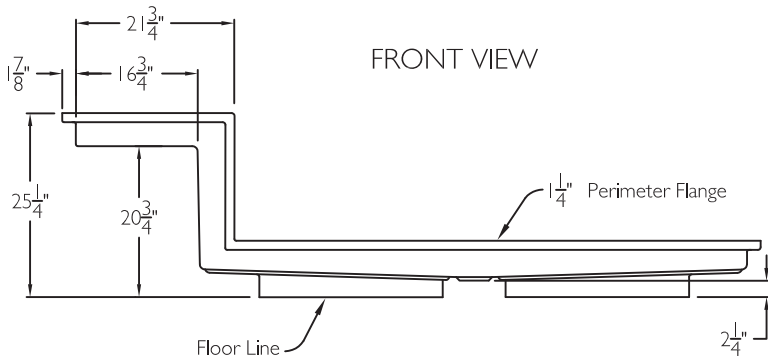


Luxury Acrylic Series

SUBMITTAL DATA



Acrylic Shower Pan

This shower pan shall be Praxis Model G9648 SH IS. Finished surface shall be of sanitary grade applied acrylic. The unit shall have outside dimensions of 96" x 48" x 25 1/4". The unit shall meet ANSI Z124.1.2, and CSA B45.

The enclosure shall be equipped with the following factory installed accessories:

- 1) Molded seat Left or right,
- 2) Integral mounting flange on all sides,
- 3) 2 1/4" drain clearance under shower.

DUE TO THE NATURE OF THE MATERIALS
DIMENSIONS MAY VARY + - 1/2"

Job Name:		PRAXIS	
Approved By Print Name:	Date Approved:	Drawing #: G 9648 SH IS	
Approved By Signature:	Wholesaler:	Date: 7-31-19	Revised: 3-2-20.
Rep:	Quote No:		