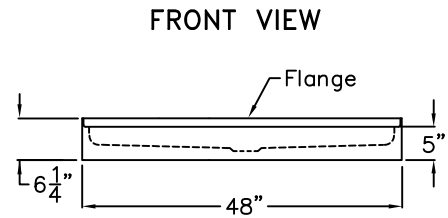
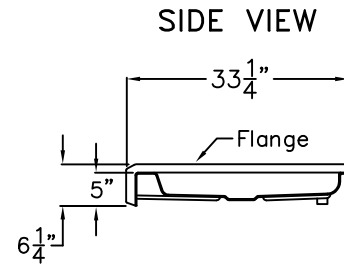
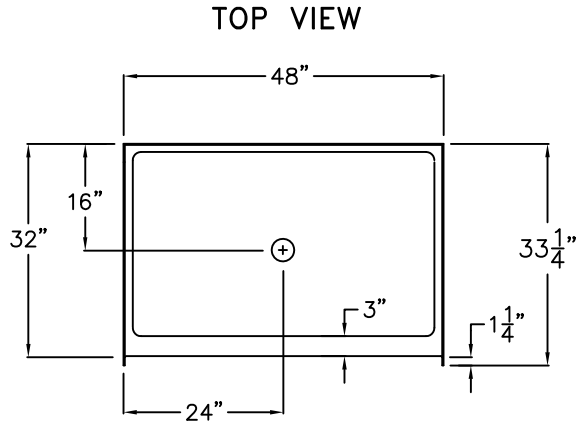


Comfort Series

SUBMITTAL DATA



Shower Pan

This shower enclosure shall be Praxis Model G 4832 SH center drain. Finished surface shall be of sanitary-grade applied acrylic. The unit shall have outside dimensions of 48" x 33 1/4" x 6 1/4". The unit shall meet IAPMO Z124-2011, and CSA B45.5-11.

The enclosure shall be equipped with the following factory installed accessories:

- 1) Center drain location
- 2) Mounting flange,
- 3) 5.0 threshold.

DUE TO THE NATURE OF THE MATERIALS INVOLVED
UNIT DIMENSIONS MAY VARY ± 1/2 INCH

Job Name:	PRAXIS
Approved By Print Name:	Drawing#: G 4832 SH 5.0 PAN
Approved By Signature:	Date: 8-25-14 Revised: 11-16-16
Rep.:	Wholesaler: Quote No.

PRAXIS INDUSTRIES, INC.
ROUTE 1, BOX 46D - SAVANNAH, TN 38372
1 (800) 443-7269 - FAX (901) 925-4290