



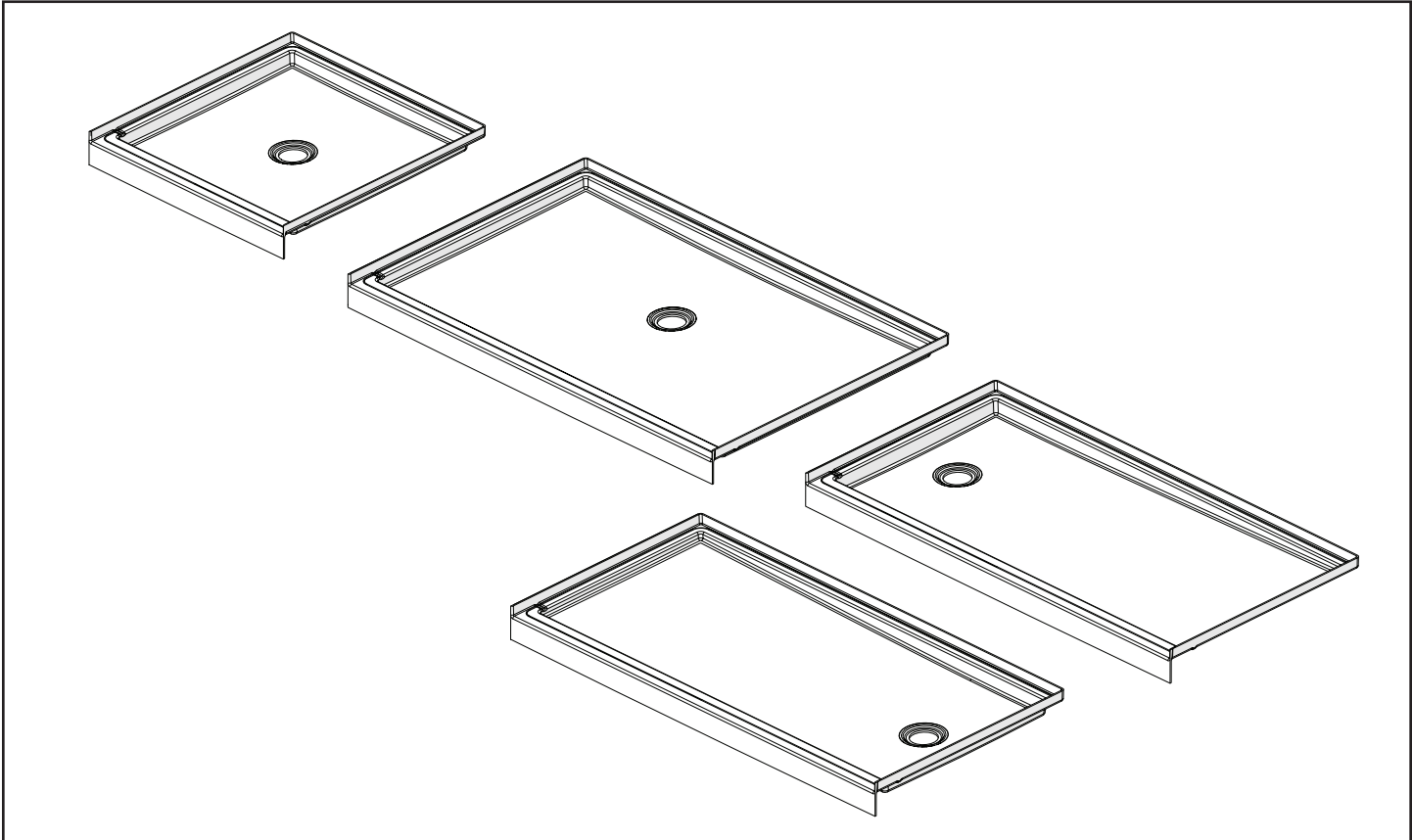
GUIDELINES FOR UNIT INSTALLATION

Icon Shower Pans

SB 3232
 SB 3636
 SB 3642
 SB 4234
 SB 4236
 SB 4242
 SB 4832

SB 4834
 SB 4836
 SB 4842
 SB 4848
 SB 6030 LH
 SB 6030 RH
 SB 6032 LH
 SB 6032 RH
 SB 6032

SB 6034 LH
 SB 6034 RH
 SB 6034
 SB 6036 LH
 SB 6036 RH
 SB 6036
 SB 6042
 SB 7236
 SB 7248



These guidelines are recommended by Praxis for the proper installation of their product. A careful review of these procedures (and any referenced publications) before starting is important in avoiding unnecessary problems resulting in an improper assembly or installation.

NOTE: All drawings in this publication are typical, and may appear different than the actual items being installed. In addition, optional items may be shown on the units which may not have been ordered on the unit being installed.

Special Notes to Installer

- *It is the sole responsibility of the installer to determine, prior to the installation, the requirements necessary for compliance with all codes involving the unit or the installation!
- *All paperwork packaged with the unit and any associated options or accessories should be saved and presented to the homeowner upon completion of the installation!
- *All published unit dimensions are for reference only. Any critical dimensions required for installation should be taken directly from the unit being installed!
- *Any independent changes made to the unit (or to any options and accessories supplied with the unit) beyond those required for normal installation can void all warranties! (Refer to *warranties* for further information.)

Inspection Guidelines

A careful check of the unit should be conducted upon receipt. Notify your supplier immediately if any questions or problems are encountered during this process.

DO NOT INSTALL ANY UNIT WITHOUT FIRST ADDRESSING QUESTIONS WHICH ARISE DURING THE INSPECTION!

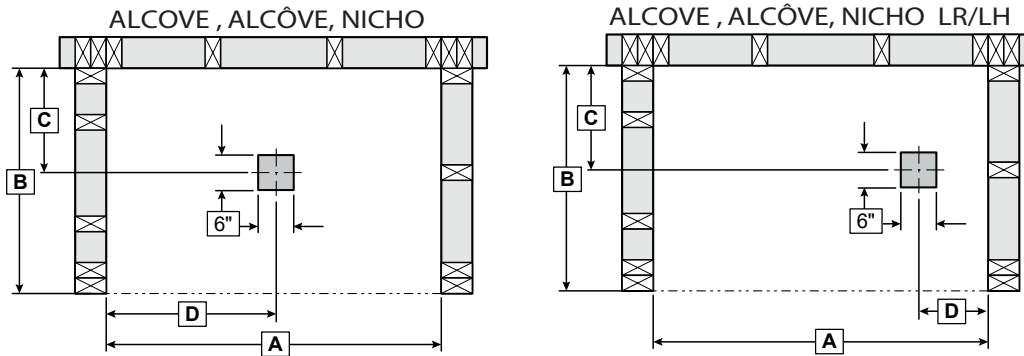
Basic Module Check

- ✓ Check that the unit drain matches the bathroom drain location.
- ✓ Check for unit surface damage.
- ✓ Check unit color for coordination to other bathroom fixtures.

Options/Accessories Check

An individual check list is included with the assembly and installation guidelines of factory authorized options. Refer to listed publications for further information before continuing.

Figure 1 - Unit Data and Dimensional Guidelines (Tolerance: +0/ -3 /8 inch)



Base size / tamaño de la base	A	B	C	D
32 x 32	32" (813mm)	32 1/8" (816mm)	15 1/4" (387mm)	16" (406mm)
36 x 36	36" (914mm)	36" (914mm)	17 1/4" (438mm)	18" (457mm)
36 x 42	36" (914mm)	42" (1067mm)	20 1/4" (514mm)	18" (457mm)
42 x 34	42" (1067mm)	34" (864mm)	16 1/4" (413mm)	21" (533mm)
42 x 36	42" (1067mm)	36" (914mm)	17 1/4" (438mm)	21" (533mm)
42 x 42	42" (1067mm)	42" (1067mm)	20 1/4" (514mm)	21" (533mm)
48 x 32	48" (1219mm)	32" (813mm)	15 1/4" (387mm)	24" (610mm)
48 x 34	48" (1219mm)	34" (864mm)	16 1/4" (413mm)	24" (610mm)
48 x 36	48" (1219mm)	36" (914mm)	17 1/4" (438mm)	24" (610mm)
48 x 42	48" (1219mm)	42" (1067mm)	20 1/4" (514mm)	24" (610mm)
48 x 48	48" (1219mm)	48" (1219mm)	23 1/4" (591mm)	24" (610mm)
60 x 30 R-L	60" (1524mm)	30" (762mm)	14 1/4" (362mm)	8 1/2" (216mm)
60 x 32 R-L	60" (1524mm)	32" (813mm)	15 1/4" (387mm)	8 1/2" (216mm)
60 x 32	60" (1524mm)	32" (813mm)	15 1/4" (387mm)	30" (762mm)
60 x 34 R-L	60" (1524mm)	34" (864mm)	16 1/4" (413mm)	8 1/2" (216mm)
60 x 34	60" (1524mm)	34" (864mm)	16 1/4" (413mm)	30" (762mm)
60 x 36 R-L	60" (1524mm)	36" (914mm)	17 1/4" (438mm)	8 1/2" (216mm)
60 x 36	60" (1524mm)	36" (914mm)	17 1/4" (438mm)	30" (762mm)
60 x 42	60" (1524mm)	42" (1067mm)	20 1/4" (514mm)	30" (762mm)
72 x 36	72" (1829mm)	36" (914mm)	17 1/4" (438mm)	36" (914mm)
72 x 48	72" (1829mm)	48" (1219mm)	23 1/4" (591mm)	36" (914mm)

* These measurements are those of the unit; for easier installation, add 1/4" (6 mm) to dimensions A and B. •• Estas dimensiones son las de la unidad; para facilitar la instalación, agregar 1/4" (6 mm) a las dimensiones A y B.

Due to individual site variations, exact guidelines for every situation cannot be supplied. The recommended framing and dimensional requirements shown are for a typical application and may vary, depending on site requirements.

The dimensions shown in Figure 1 and the table are from the surfaces where the unit will be attached. This surface can be bare studding, dry wall or other suitable underlayment material.

IT IS IMPORTANT THAT THE FLOOR AND ALL FRAMING BE SQUARE AND LEVEL. Framing should be done using accepted materials and construction techniques, in accordance with all applicable codes.

Installation Procedure

With the unit positioned in the alcove, several details must be checked prior to securing the unit in place (Figure 2a, 2b and Figure 2c);

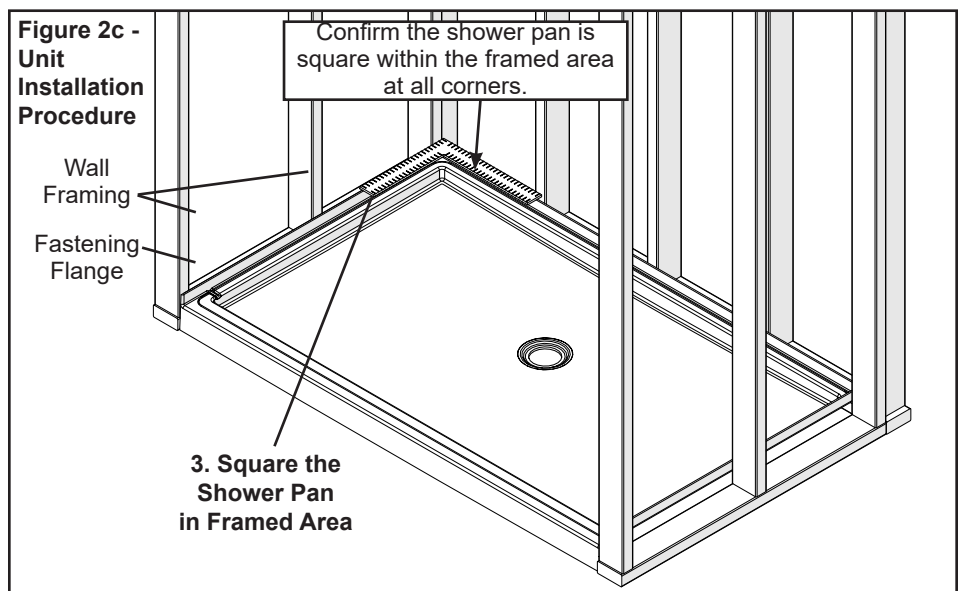
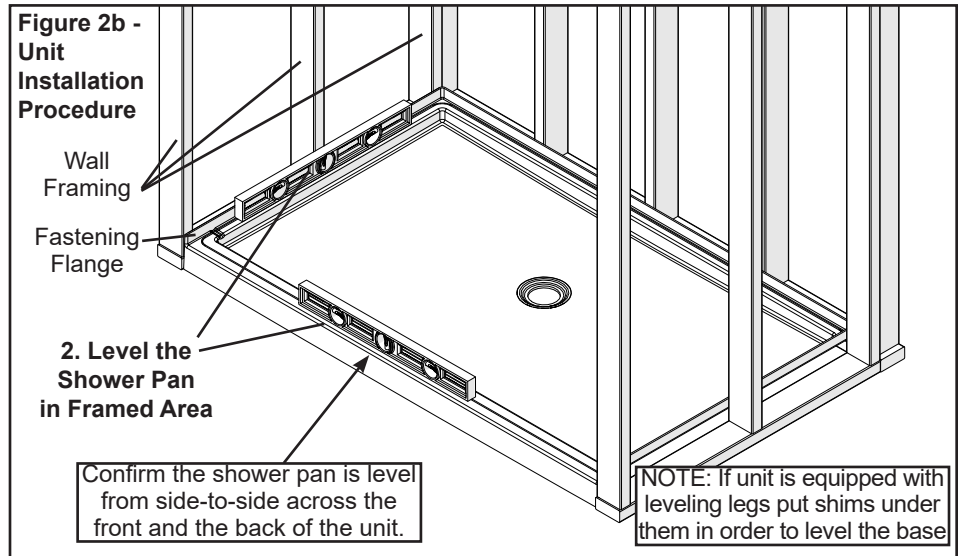
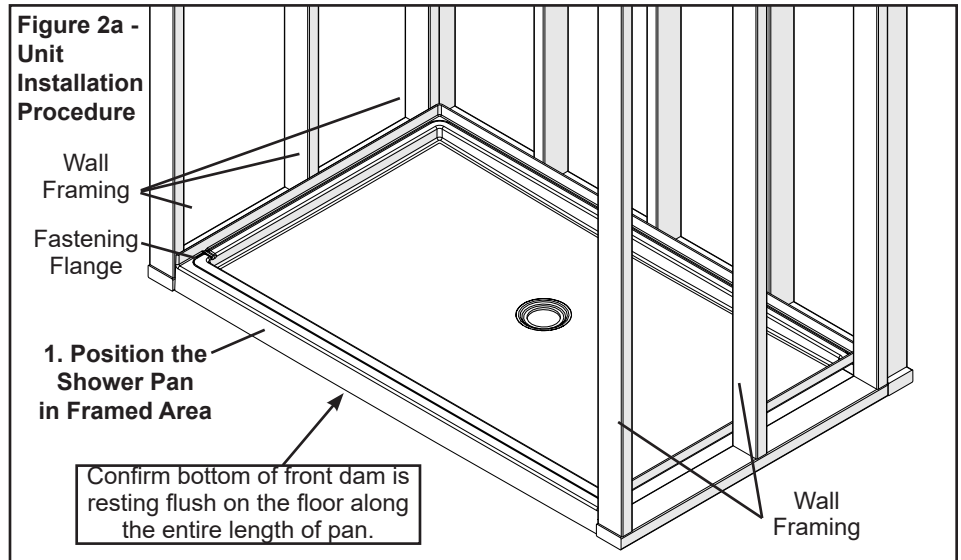
- ✓ Confirm dam is resting flush on the floor.
- ✓ Confirm drain alignment.
- ✓ Confirm the top of unit is level on all sides.
- ✓ Confirm the unit is square in the alcove framework.
- ✓ Confirm the front inside corner is plumb at each end. (This is critical for the proper installation of an enclosure)

The unit must be positioned square in the alcove framework. The use of shim or filler material behind the fastening flange at each framing member or under the factory installed leveling legs may be required to maintain the unit in the proper position.

After the unit is confirmed leveled and square in the alcove, drill a 1/8 inch hole through the fastening flange at each framing member. **THE BOTTOM OF ALL HOLES IN THE FLANGE HAVE TO BE AT LEAST 8MM (0.3 INCHES) ABOVE THE BASE THRESHOLD!**

Secure the unit in place across the back wall first, followed by the flanges at each end, using 1-1/4 inch long screws or other appropriate fasteners. Continuously check to confirm the base remains square within the alcove as it is being secured. (Figure 3a and 3b)

NOTE: IF UNIT IS EQUIPPED WITH LEVELING LEGS PUT SHIMS UNDER THEM IN ORDER TO LEVEL THE BASE

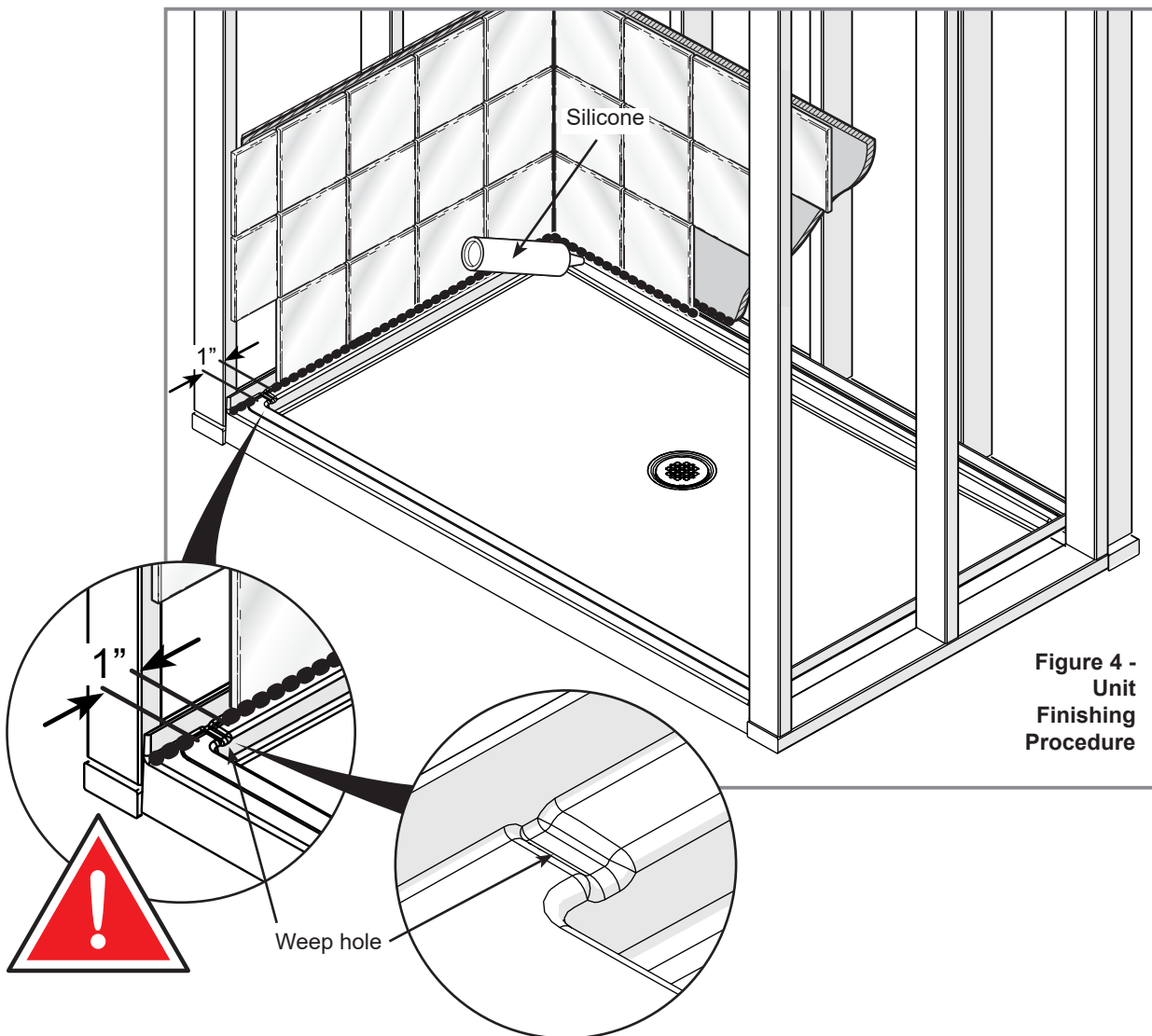
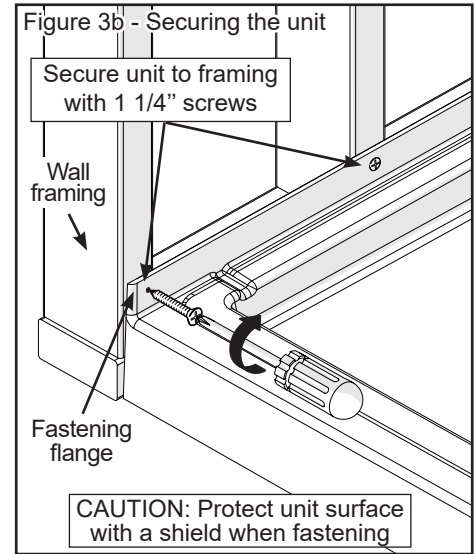
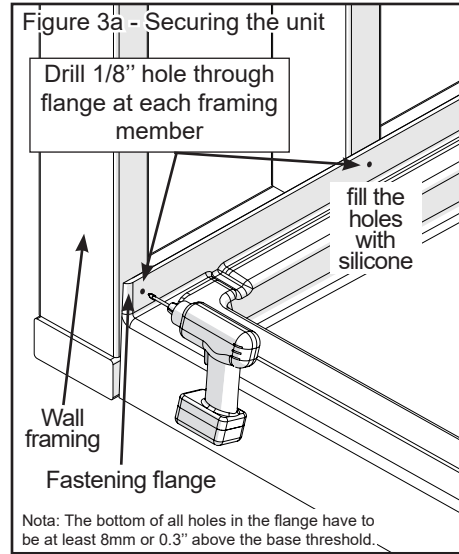


CAUTION: It is advisable to protect the unit surface with a thin plywood or cardboard shield while fastening the flange to the framing.

WARNING! THE UNIT BOTTOM SHOULD BE CLEAR OF ALL POTENTIALLY DAMAGING DEBRIS AND THE SURFACE PROTECTED BEFORE STEPPING INSIDE.

Seal the joint between the unit and the wall covering with a bead of silicone. Leave a 1" gap on the sides to work as a weep hole as shown. (Figure 4).

Make sure to never obstruct the weep holes.



Water Supply and Drain Connections

Refer to, and follow, the assembly and installation instructions provided with the supply valves and drain system. **Carefully check all fittings and connections for leaks.**

Unit Surface Care

**WARNING!
NEVER USE ABRASIVE MATERIALS
NOR ABRASIVE CLEANERS ON THE
UNIT SURFACE!**

EXTREME CAUTION is urged regarding the use of any cleaner, acid or solvent on the unit surface.

READ, AND FOLLOW ALL PACKAGE LABELS AND INSTRUCTIONS!

Through routine use, the unit surface can collect residues from soap, bath additives and natural body oils. Additional deposits can also collect from minerals or particles found in the water.

After each use, wipe the excess water from the unit. This practice will reduce the build-up of deposits and help maintain the natural unit lustre.

Following a thorough surface cleaning, an application of quality automotive wax will help reduce major accumulations. The actual schedule for cleaning, and waxing, will depend on unit usage and water quality.

**WARNING!
AVOID APPLYING WAX TO THE UNIT
BOTTOM!**

- Routine Cleaning: Mild, non-abrasive cleaner specifically formulated for gelcoat and acrylic surfaces recommended. (Rinse surface thoroughly.)
- Heavy Soap Deposits: Liquid ammonia household cleaner, applied full strength. (Rinse surface thoroughly.)
- Stubborn Stains: Liquid household cleaner or hydrogen peroxide, applied full strength. Place a saturated clean rag directly on stain and let stand several hours. (Rinse surface thoroughly.)

For extreme cases, buff area with white automotive polishing compound until stain disappears, and apply a quality automotive

wax to surface.

- Hard Water Scales: Liquid scale remover or white vinegar, applied full strength. (Rinse surface thoroughly.)
- Mold/Mildew: Liquid mildew remover or baking soda and water paste. Apply paste and allow to fizz several minutes. (Rinse surface thoroughly.)
- Construction Adhesive: Soften adhesive with hand held dryer and peel off adhesive. (Caution is advised when using any electrical device near water.)

For stubborn cases, apply rubbing alcohol or nail polish remover, full strength, to adhesive. (Rinse surface thoroughly.)

WARNING!
BATH MATS OR OTHER ITEMS WHICH ARE HELD IN PLACE USING SUCTION AGAINST THE UNIT SURFACE MUST BE REMOVED FROM THE FLOOR OF THE UNIT AFTER EACH USE.

OVER A PROLONGED PERIOD, FAILURE TO REMOVE THESE TYPES OF ITEMS FROM THE BOTTOM OF THE UNIT CAN RESULT IN SURFACE DAMAGE.

LIMITED WARRANTY

Units manufactured of fiberglass reinforced polyester resin, that it will, free of charge, repair or exchange as its option, any Praxis Companies unit found to be defective in materials or workmanship upon inspection by an authorized representative of Praxis Companies for a period of three (3) years from date of purchase for Gelcoat faced units, Five (5) for Acrylic faced units and Ten (10) for Solid Surface units. The exchange of a unit is limited to supplying a replacement unit of comparable size and style and does not include any costs of removal or installation. This warranty shall be voided if the unit is moved from its place of initial installation or is not installed in accordance with the instructions supplied by the manufacturer of the unit. Further, this warranty does not apply if the unit has been subjected to accident, abuse, misuse, damage caused by flood, fire or act of God. Since local code requirements vary greatly throughout the country, distributors, dealers, installation contractors and users of plumbing products should determine whether there are any code restrictions on the use of a specific product. Praxis Companies makes no representation or warranty regarding and shall not be responsible for any code compliance. The owner agrees by use of this unit that the obligations of Praxis Companies shall not exceed to contingent or indirect damage or injury to the structure of its contents, that the obligations of Praxis Companies are limited to those set forth herein, and that no other obligations, expressed or implied, are assumed by Praxis Companies.

Contact: Praxis Companies Warranty Department (800) 443-7269 Ext: 130 gyoung@praxiscompanies.com
© 2015, The Praxis Companies, LLC
435 Industrial Rd., Savannah, TN 38372
Customer Service: 800.443.7269
www.praxiscompanies.com



PRAXIS

Contact:

Praxis Companies Warranty Department (800) 443-7269 Ext: 130 gyoung@praxiscompanies.com

© 2015, The Praxis Companies, LLC
435 Industrial Rd., Savannah, TN 38372

Customer Service: 800.443.7269

www.praxiscompanies.com