



Multi-Piece Window Trim Installation Instructions

Tools you might need for proper installation

- measuring tape
 - jig saw
 - jab or saws-all (to cut conduit)
 - scissors
 - painter tape (to hold pieces in place)
 - putty knife
 - 100% silicon caulk
 - caulk gun
 - miter saw
 - white bathtub caulking
-

Thank you for purchasing Praxis Bathware. For best results, please read and follow all directions carefully.

PRE-INSTALLATION PLANNING

The Trim Molding Kit may be used to provide trim around an opening in the back wall to accommodate a window. Typically, the shower unit will be installed directly to the framing studs. There will be approximately 1 1/8" between the face of the framing and the finished surface of the shower. If this is the case with your window, the Trim Molding Kit will provide a finishing look to the window cutout to be made in the shower back wall without need for any additional filler materials. After the cutout is made, measure the trim molding to determine if any adjustment or filler materials will be needed.

Many windows are installed so the window frame, (Jamb) is 1/2" into the room from the stud wall. This is so the window jamb will be even with 1/2" drywall and conventional window trim applied. The trim molding will stop at the top of the shower back wall. Drywall will be installed to cover the shower top mounting flange. The portion of the window above the shower may be finished off in a typical manner using window trim (by others) applied to cover the transition between the window Jamb and adjacent drywall. All cut pieces should be trial fit before final installation. When complete, all seams will be caulked.

INSTALLATION

1. Carefully unpack the multi-piece shower. Review the back wall pieces. If the bottom of the window is above the seam of the two piece back wall, only the top section will need to be measured and cut. If the window is lower, both back wall pieces will need to be measured for the opening and cut before shower installation. The width of the cutout should be to the outside edge of the window jambs, plus additional

1/8" each side for "Wiggle Room".

Carefully measure and make the cut in the back wall as shown in Figure 1. Use a jig saw through the fiberglass. Use a "Jab" or Sawsall to cut ONLY where the conduit reinforcement is located.

Use a putty knife and coat the cut edges of the back wall with 100% silicone. When cured, this will "seal" the cut edge and help minimize the chance for water penetration into the fiberglass.

2. Carefully unpack the Trim Molding Kit and evaluate the pieces. The plan will be to use some of these pieces to install a window trim that will finish off the rough opening between the finished back wall of the shower and window jambs along the bottom and both sides. The wider side of the L-shaped trim is rounded to a finished edge. This is the side that should be installed against the back wall of the shower. The shorter leg of the "L" will lay against the edge of the window jambs. It is likely this short leg will need to be trimmed depending on the space between the jamb and the finished surface of the back wall. There is plenty of trim material in the kit. You may cut a short piece of the trim to use as a sample to determine how the trim may need to be cut for your installation.

3. When the cutout is complete, installation of the shower may proceed. Follow the installation instructions, provided with the shower. Remember, to dry fit the shower completely to confirm it fits properly.

Keep in mind the cutout width should include the window jamb, plus 1/8" additional at each side. This jamb may also be referred to as the outside frame of the window. Make any adjustments to the cutout if necessary.

When final installation of the shower is complete, apply



Multi-Piece Window Trim Installation Instructions

100% silicone caulking to the space between the shower and the window junction to seal off this area before the trim is applied.

4. The window trim should not be installed until the shower installation has been completed.

Review the diagram below, Figure 2. Note the vertical trim pieces will have square top and miter for corner. These will need to be carefully measured and cut to size. The horizontal bottom piece of trim will also require mitered ends. The installer will need to measure the width, and cut the mitered ends on this piece.

5. Trial fit all trim pieces before any adhesive is used. See Figure 3. This figure shows a side trim piece in place fitted against the shower back wall, and butt against the window jamb.

6. Locate the compressive neoprene tape that was included with the trim kit. Cut into 1" segments with a pair of scissors.

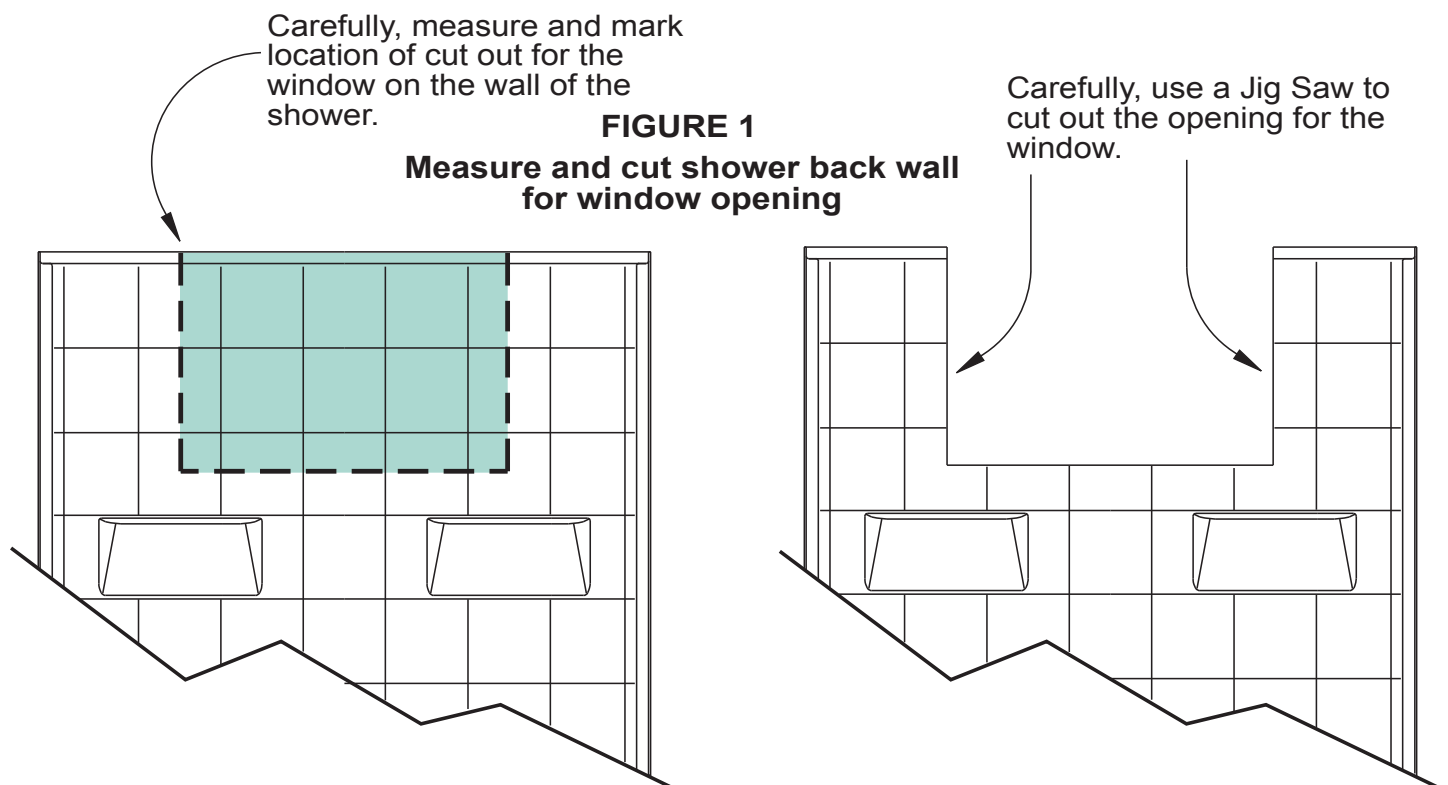
Space four of these pieces evenly across each trim piece.

Remove the clear plastic film from the tape. Apply a bead of clear 100% clear silicone down the length of each trim piece. Apply the silicone along the edge that butts to the window jamb only.

Press each trim piece firmly into place. Align the mitered corners to ensure a good close fit. Use a quality white bathtub caulking along the edge where the trim pieces contact the shower and at the mitered corners. Smooth caulking to a clean finish.

Painters tape may be used to hold the pieces in place while the caulking cures.

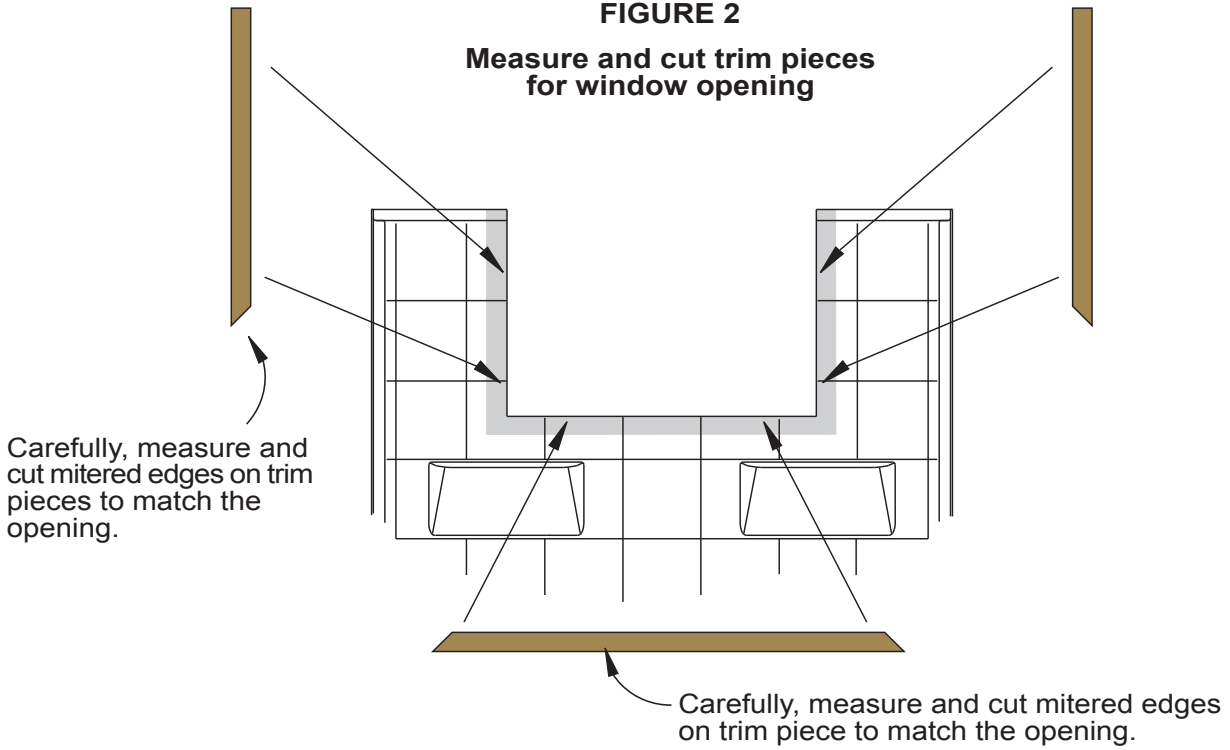
© 2013, The Praxis Companies, LLC
435 Industrial Rd., Savannah, TN 38372
Customer Service: 800.443.7269
www.praxiscompanies.com





Multi-Piece Window Trim Installation Instructions

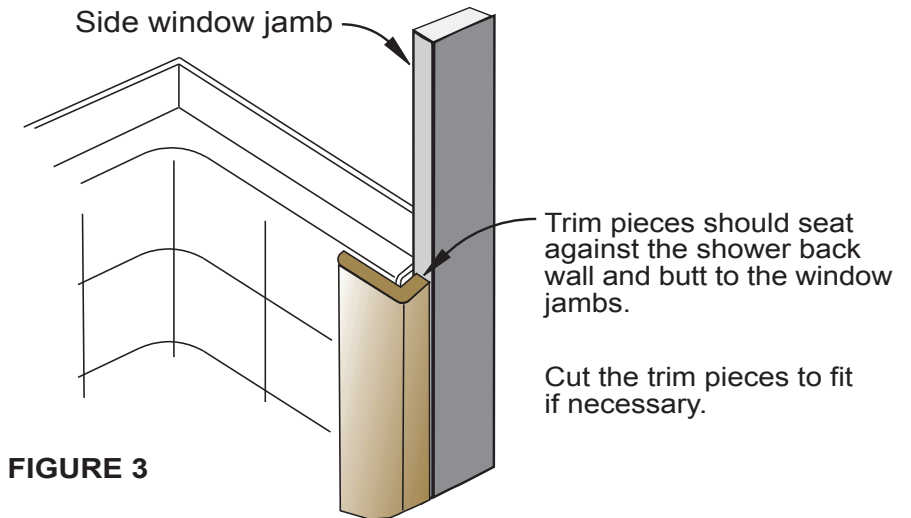
FIGURE 2
Measure and cut trim pieces for window opening



Step 5

Trial fit all trim pieces before any adhesive is used. See Figure 3.

This figure shows a side trim piece in place fitted against the shower back wall, and butt against the window jamb.





Multi-Piece Window Trim Installation Instructions

FIGURE 4
Finish trim and apply caulking

