

the
praxis

P

erfect Pin System

The Praxis Perfect Pin System is an integral assembly guidance system that allows the installation of Praxis sectional models completely from the front of the unit.

Integral self-locating guide pins are fully glassed-in and easily fit into pre-drilled guide slots which allow ease of assembly without having to view the pin and slots.

Creating a perfect fit each time, the Perfect Pin System leaves a near invisible seam line that is easily caulked leaving a beautiful finish and groutless appearance.

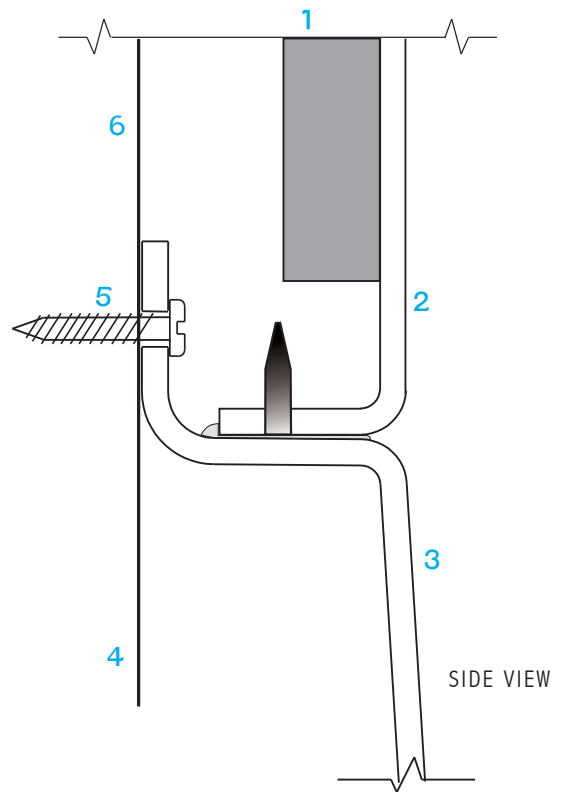


Praxis Makes Perfect
www.praxiscompanies.com

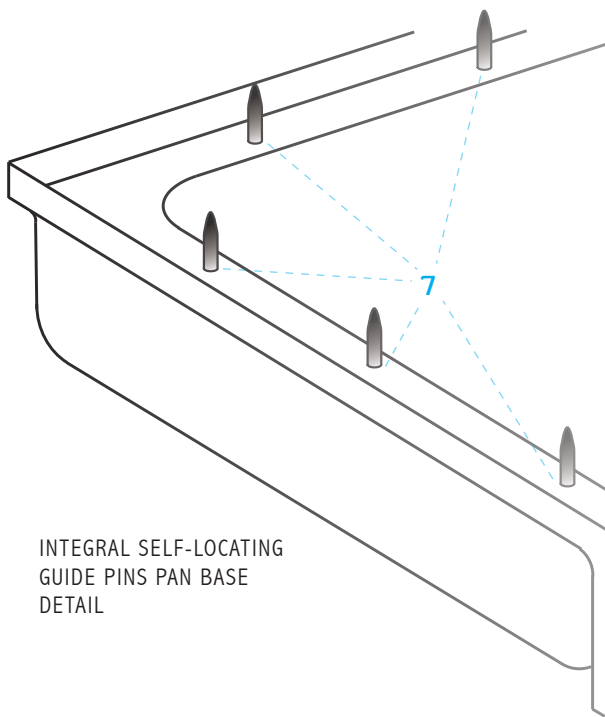
THE PRAXIS PERFECT PIN SYSTEM



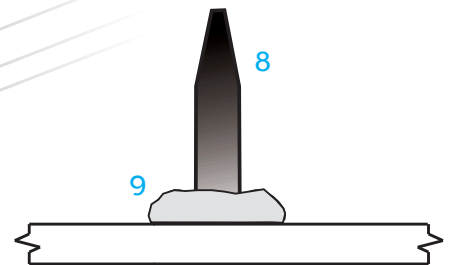
INTEGRAL SELF-LOCATING GUIDE PIN & PREDRILLED ALIGNMENT HOLE



SIDE VIEW



INTEGRAL SELF-LOCATING GUIDE PINS PAN BASE DETAIL



INTEGRAL SELF-LOCATING GUIDE PIN DETAIL 10

Guide pins are fully glassed-in during the manufacturing process and are integral to the unit.

- 1 WOOD BACKING
- 2 WALL PANEL
- 3 SHOWER PAN BASE
- 4 STUD LINE
- 5 MOUNTING SCREW
- 6 WALL BOARD
- 7 INTEGRAL SELF-LOCATING GUIDE PINS
- 8 INTEGRAL SELF-LOCATING GUIDE PINS
- 9 SILICONE BEAD
- 10 FIBERGLASS SHOWER



Praxis Makes Perfect
www.praxiscompanies.com