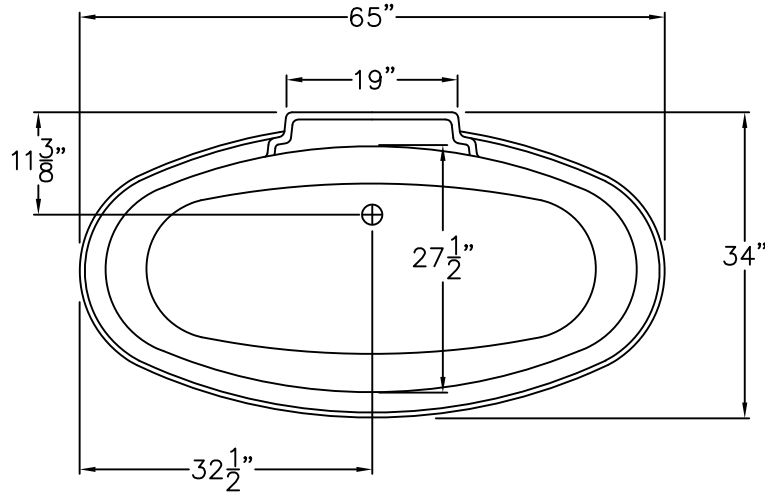


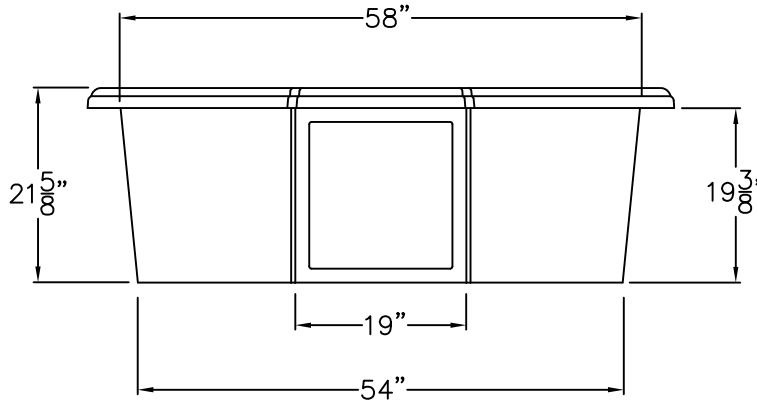
# LUXURY ACRYLIC SERIES

## SUBMITTAL DATA

TOP VIEW



FRONT VIEW



G 3465 FS APPLIED ACRYLIC FREE STANDING TUB  
 UNIT HAS CENTER BACK DRAIN LOCATION, OVAL SHAPE WITH MOLDED  
 RIM, SMOOTH SIDES WITH DRAIN AREA ACCESS PANEL.  
 UNIT MEETS IAPMOZ124, CSA B45.5, AND Home Innovation Research Lab.

DUE TO THE NATURE OF THE MATERIALS  
 DIMENSIONS MAY VARY  $\pm 1/2"$

Job Name:		<b>AQUARIUS</b>	
Approved By Print Name:		Drawing#: G 3465 FS	
Approved By Signature:	Date Approved:	Date: 7-28-17	Revised:
Rep.:	Wholesaler:	Quote No.:	

PRAXIS INDUSTRIES, LLC.  
 435 INDUSTRIAL ROAD, SAVANNAH, TN 38372  
 1 (800) 326-5489 - FAX (888) 246-0466