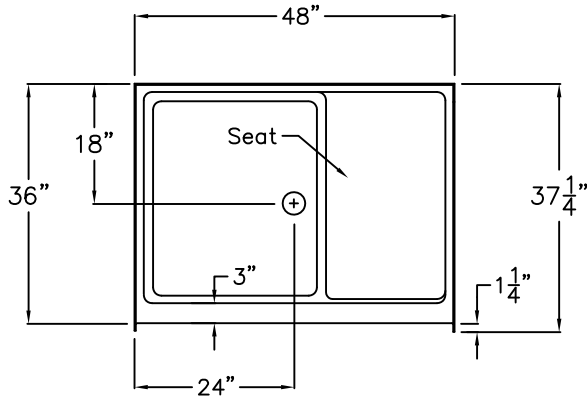


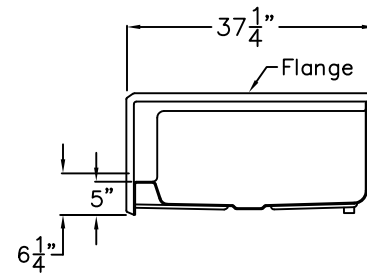
# Comfort Series

## SUBMITTAL DATA

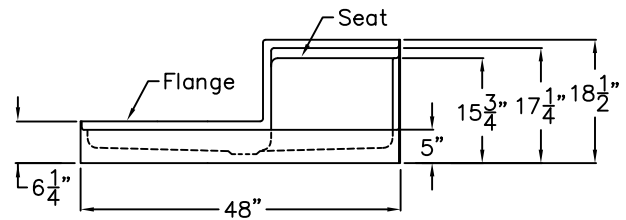
TOP VIEW



SIDE VIEW



FRONT VIEW



### Shower Pan

This shower pan shall be Model G 4836 SH 1S center drain. Finished surface shall be of sanitary-grade applied acrylic. The unit shall have outside dimensions of 48" x 37 1/4" x 18 1/2". The unit shall meet IAPMO Z124-2011, and CSA B45.5-11.

The enclosure shall be equipped with the following factory installed accessories:

- 1) Center drain location,
- 2) Molded seat, right or left,
- 3) 1 1/4" mounting flange,
- 4) 5.0" threshold.

DUE TO THE NATURE OF THE MATERIALS INVOLVED  
UNIT DIMENSIONS MAY VARY ± 1/2 INCH

|                         |                                |                                      |
|-------------------------|--------------------------------|--------------------------------------|
| Job Name:               | PRAXIS                         |                                      |
| Approved By Print Name: | Drawing#: G 4836 SH 1S 5.0 PAN |                                      |
| Approved By Signature:  | Date:                          | Date: 8-25-14      Revised: 11-16-16 |
| Rep.:                   | Wholesaler:                    | Quote No.                            |

PRAXIS INDUSTRIES, INC.  
ROUTE 1, BOX 46D - SAVANNAH, TN 38372  
1 (800) 443-7269 - FAX (901) 925-4290