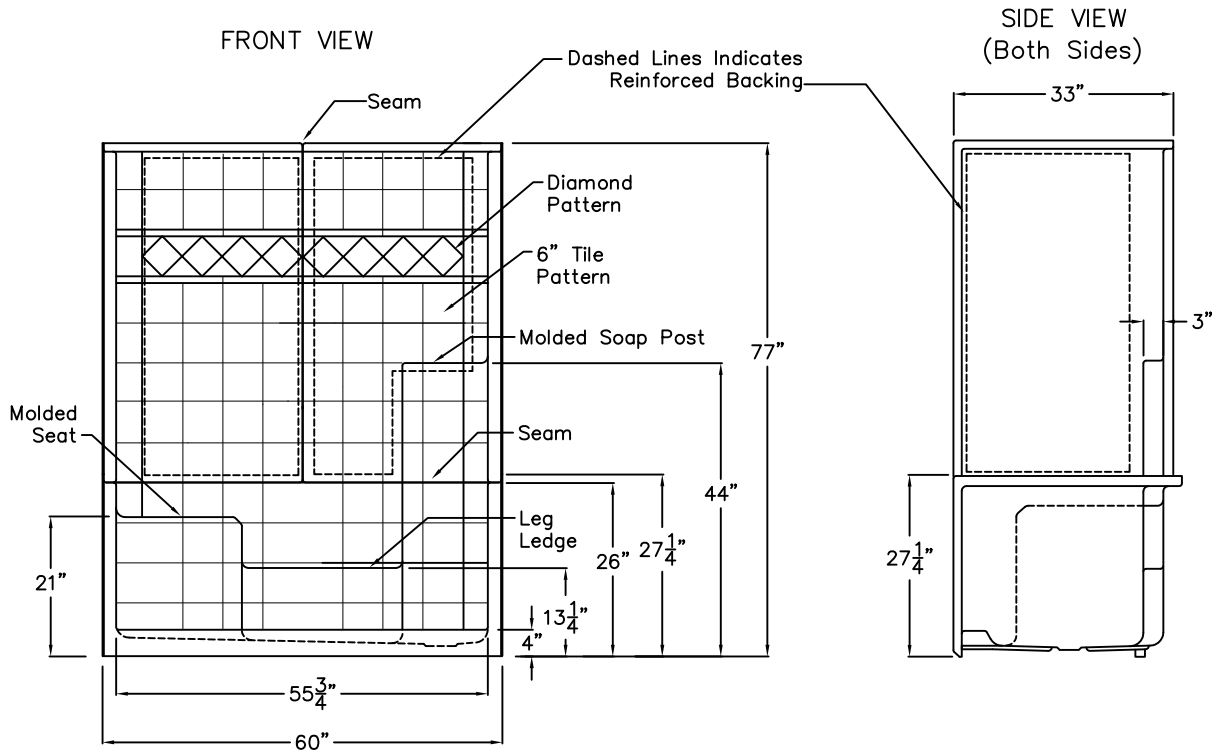
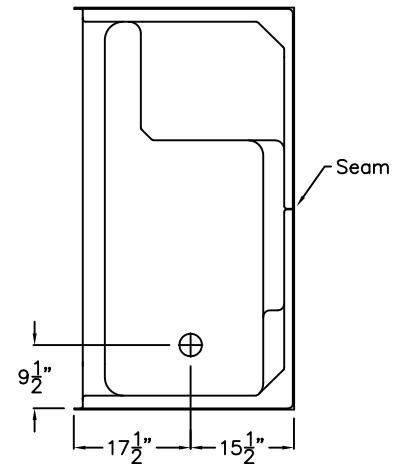


Luxury Acrylic Series

SUBMITTAL DATA



TOP VIEW



Sectional Shower

This shower enclosure shall be Aquarius Model MP 6032 SH 3P 4.0 right or left. Finished surface shall be of sanitary-grade applied acrylic. The unit shall have outside dimensions of 60" x 33" x 77". The unit shall meet IAPMO Z124-2011, and CSA B45.5-11.

The enclosure shall be equipped with the following factory installed accessories:

- 1) Molded lower ledge on back wall,
- 2) Tile finish,
- 3) Diamond accents,
- 4) Molded seat right or left,
- 5) Three piece sectional design,
- 6) Full reinforced backing on all walls,
- 7) 4.0" threshold.

DUE TO THE NATURE OF THE MATERIALS
DIMENSIONS MAY VARY ± 1/2"

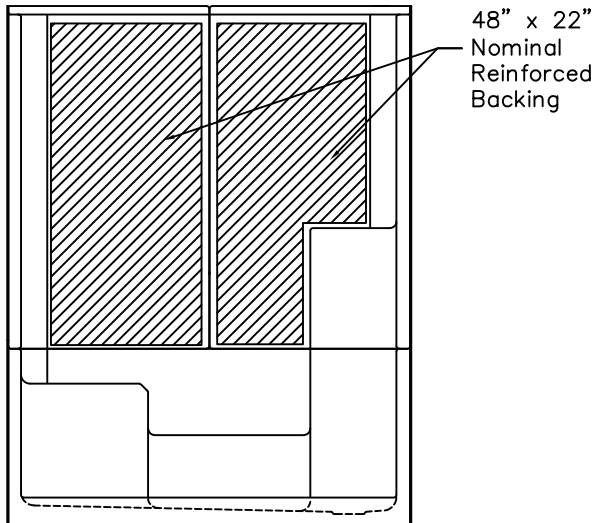
Job Name:		AQUARIUS	
Approved By Print Name:		Drawing#: MP 6032 SH 1S 3P Tile	
Approved By Signature:	Date:	Date: 8-22-08	Revised: 3-8-17
Rep.:	Wholesaler:	Quote No.:	

PRAXIS INDUSTRIES, LLC.
435 INDUSTRIAL RD - SAVANNAH, TN 38372
1 (800) 443-7269 - FAX (731) 925-4290

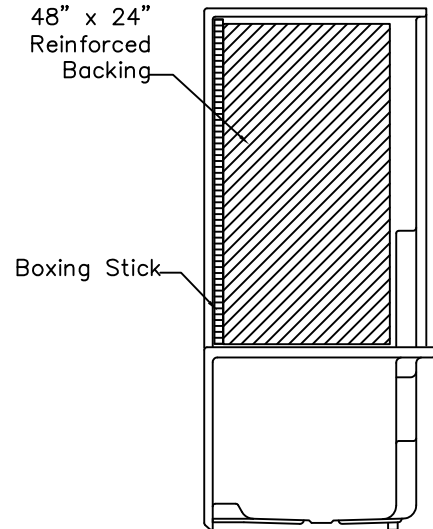
Backing Placement Drawing

SUBMITTAL DATA

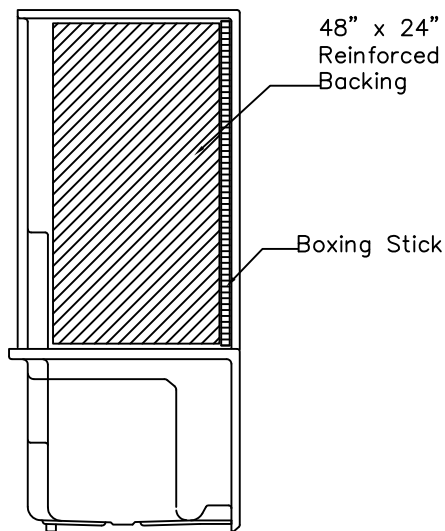
FRONT VIEW



VALVE SIDE VIEW



SEAT SIDE VIEW



DUE TO THE NATURE OF THE MATERIALS
DIMENSIONS MAY VARY ± 1/2"

Job Name:

AQUARIUS

Approved by Print Name:

Drawing#: MP 6032 SH 1S 3P Tile-BP

Approved by Signature:

Date:

Date: 5-8-07.

Revised: 3-8-17

Rep.:

Wholesaler:

Quote No.:

PRAXIS INDUSTRIES, LLC.
435 INDUSTRIAL RD - SAVANNAH, TN 38372
1 (800) 443-7269 - FAX (731) 925-4290