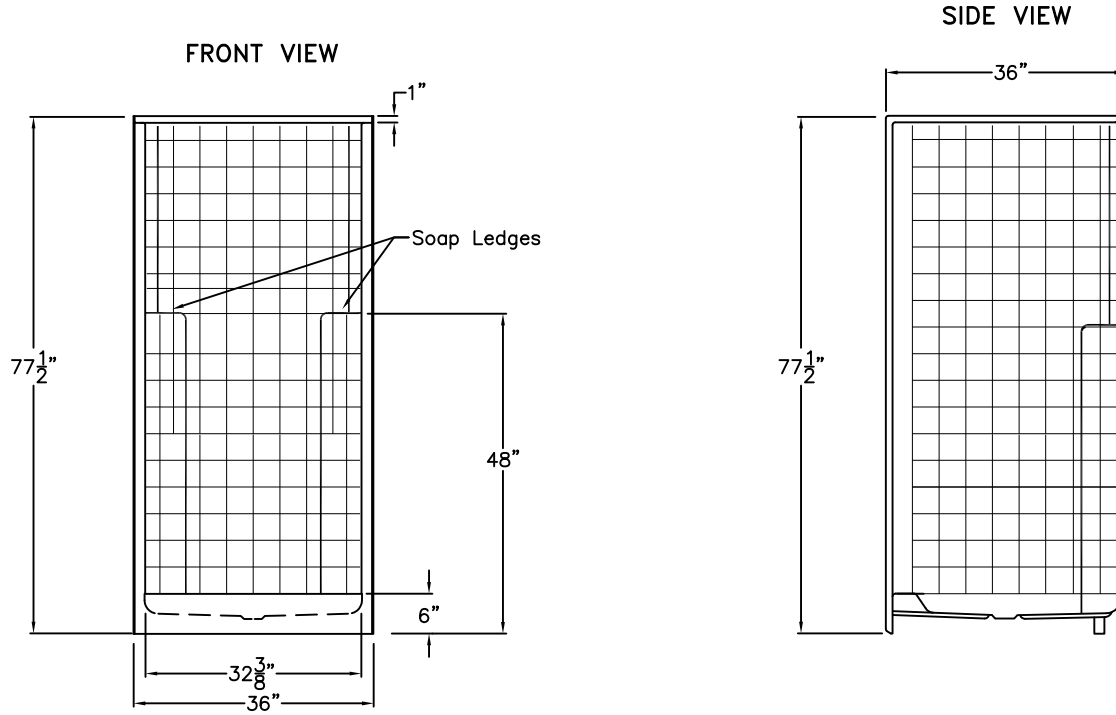


# Luxury Acrylic Series

## SUBMITTAL DATA

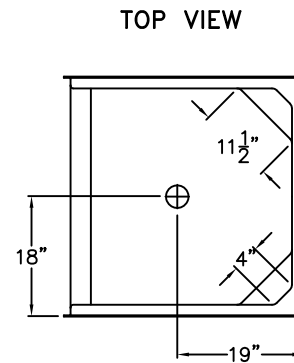


### Simulated Tile Shower

This shower enclosure shall be Aquarius Model G 3679 SH TILE center, right, or left. Finished surface shall be of sanitary-grade applied acrylic. The unit shall have outside dimensions of 36" x 36" x 77 1/2". The unit shall meet IAPMO Z124-2011, and CSA B45.5-11.

The enclosure shall be equipped with the following factory installed accessories:

- 1) Molded corner soap dishes,
- 2) Simulated tile finish,
- 3) 6.0" threshold.



DUE TO THE NATURE OF THE MATERIALS  
DIMENSIONS MAY VARY ± 1/2"

Job Name:	<b>AQUARIUS</b>
Approved by Print Name:	Drawing#: G 3679 SH Tile
Approved by Signature:	Date:
Rep.:	Wholesaler:
	Quote No.:

PRAXIS INDUSTRIES, LLC.  
435 INDUSTRIAL RD - SAVANNAH, TN 38372  
1 (800) 443-7269 - FAX (731) 925-4290