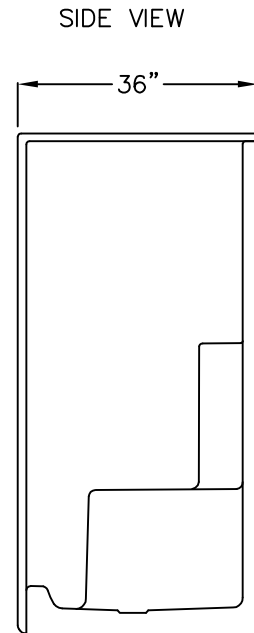
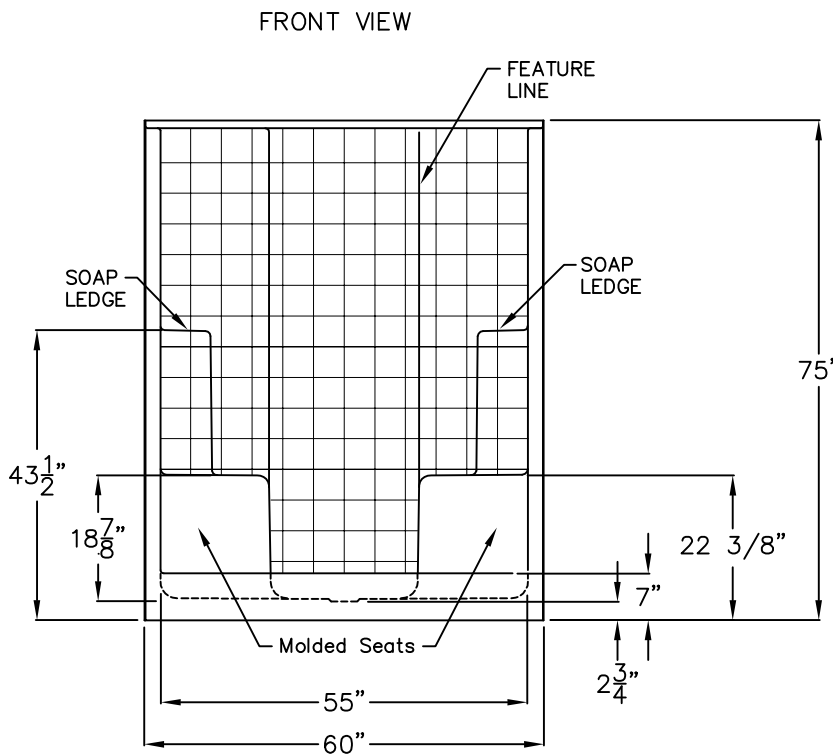
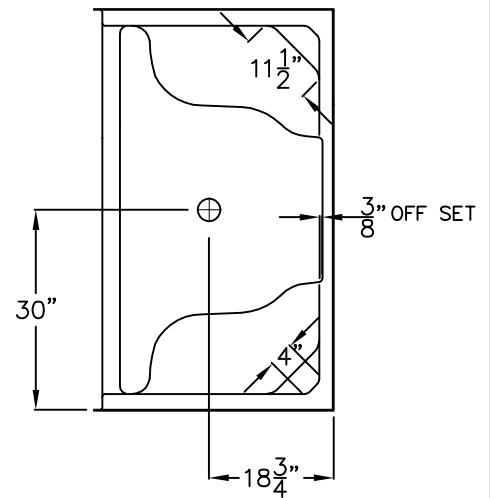


Luxury Acrylic Series

SUBMITTAL DATA



TOP VIEW



DUE TO THE NATURE OF THE MATERIALS
DIMENSIONS MAY VARY ± 1/2"

Simulated Tile Shower

This shower enclosure shall be Aquarius Model G 6099 SH 2S TILE center drain. Finished surface shall be of sanitary-grade applied acrylic. The unit shall have outside dimensions of 60" x 36" x 75". The unit shall meet IAPMO Z124-2011, and CSA B45.5-11.

The enclosure shall be equipped with the following factory installed accessories:

- 1) Molded corner soap ledges,
- 2) Molded seat,
- 3) Simulated tile finish,
- 4) 7" threshold.

Job Name:

AQUARIUS

Approved by Print Name:

Drawing#: G 6099 SH 2S Tile

Approved by Signature:

Date:

Date: 1-29-04

Revised: 10-12-16

Rep.:

Wholesaler:

Quote No.:

PRAXIS INDUSTRIES, LLC.
435 INDUSTRIAL RD - SAVANNAH, TN 38372
1 (800) 443-7269 - FAX (731) 925-4290