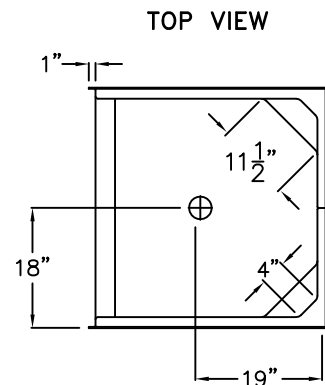
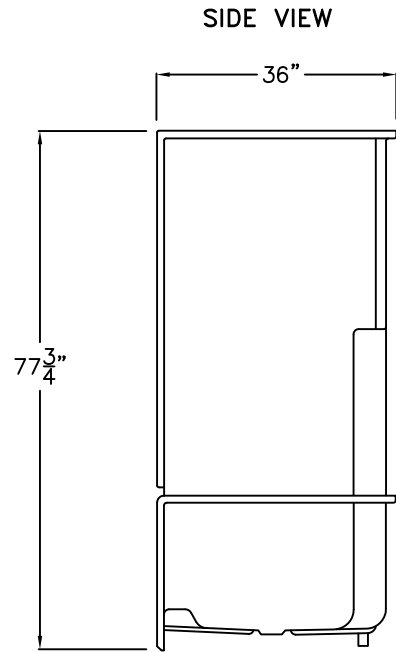
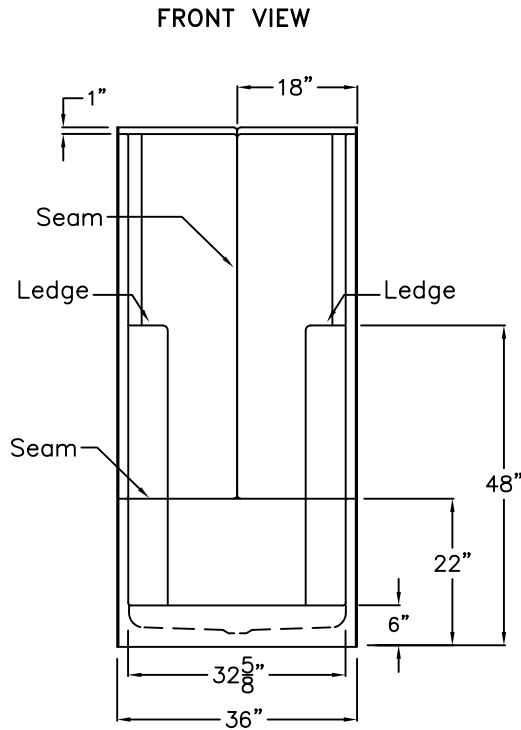


Solid Surface Series

SUBMITTAL DRAWING



Smooth Wall Shower

This shower enclosure shall be Aquarius Model STN 3697 SH 3P center, right, or left. Finished surface shall be of sanitary-grade solid surface exhibiting a minimal thickness of 55 dry mils, and a finished cured Baecoal hardness of 80-90 as tested with ASTM d-2583. The unit shall have outside dimensions of 36" x 36" x 77 3/4". The unit shall meet IAPMO Z124-2011, and CSA B45.5-11.

The enclosure shall be equipped with the following factory installed accessories:

- 1) Molded corner soap ledges,
- 2) Three piece sectional design,
- 3) Center drain location,
- 4) Solid surface finish,
- 5) 6.0" Threshold.

DUE TO THE NATURE OF THE MATERIALS
DIMENSIONS MAY VARY ± 1/2"

Job Name:

AQUARIUS

Approved By Print Name:

Drawing#: STN 3679 SH 3P 6.0

Approved By Signature:

Date:

Date: 11-1-00 Revised: 3-10-17

Rep.:

Wholesaler:

Quote No.:

PRAXIS INDUSTRIES, LLC.
ROUTE 1, BOX 46D - SAVANNAH, TN 38372
1 (800) 443-7269 - FAX (731) 925-4290