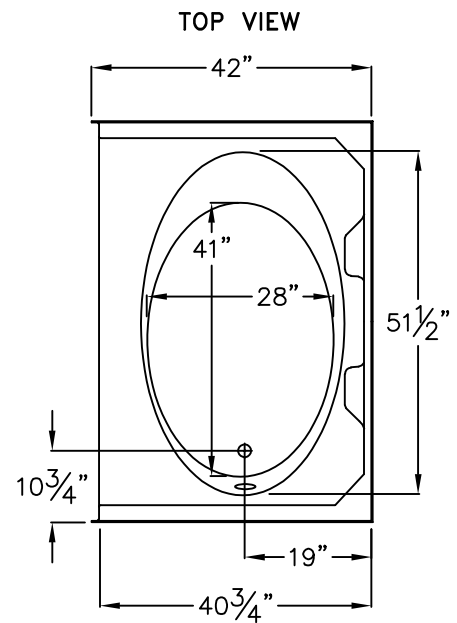
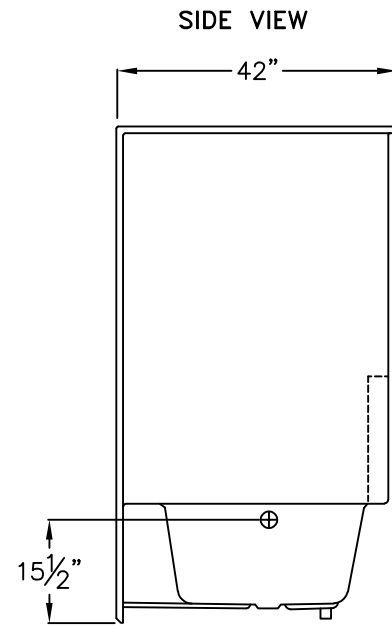
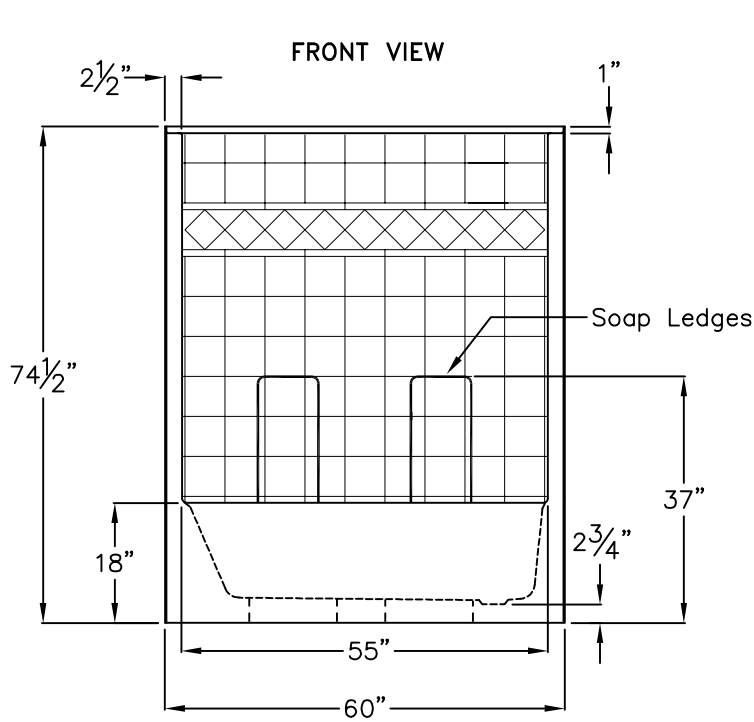


Solid Surface Series

SUBMITTAL DRAWING



Simulated Tile Tub Shower

This shower enclosure shall be Model STN 6042 TS TILE right or left. Finished surface shall be of sanitary-grade solid surface. The unit shall have outside dimensions of 60" x 42" x 74 1/2". The unit shall meet IAPMO Z124-2011, and CSA B45.5-11.

The enclosure shall be equipped with the following factory installed accessories:

- 1) Oval shaped well,
- 2) Molded soap ledges,
- 3) Tile finish,
- 4) Diamond accents,
- 5) Left or right drain location.

DUE TO THE NATURE OF THE MATERIALS
DIMENSIONS MAY VARY ± 1/2"

Job Name:

PRAXIS

Approved by Print Name:

Drawing: STN 6042 TS Tile

Approved by Signature:

Date:

Date: 7-2-02

Revised: 4-7-17

Rep.:

Wholesaler:

Quote No.:

PRAXIS INDUSTRIES, LLC.
435 INDUSTRIAL RD - SAVANNAH, TN 38372
1 (800) 443-7269 - FAX (731) 925-4290