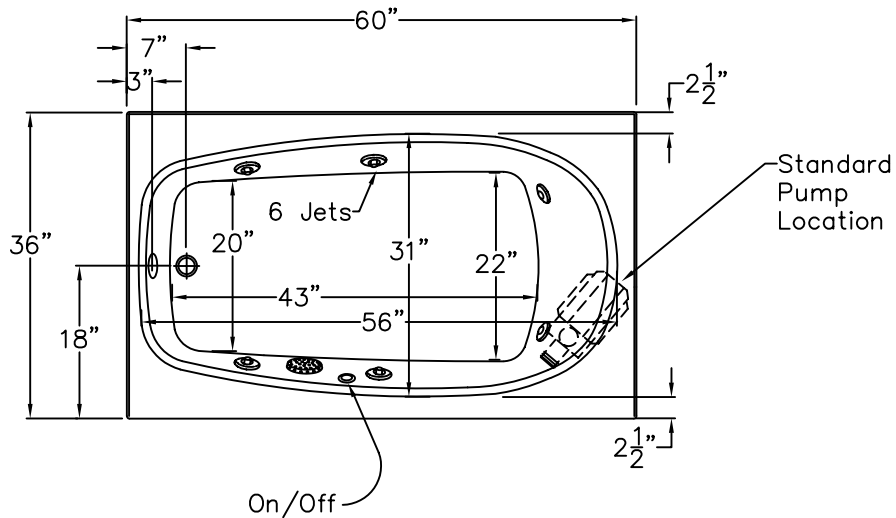


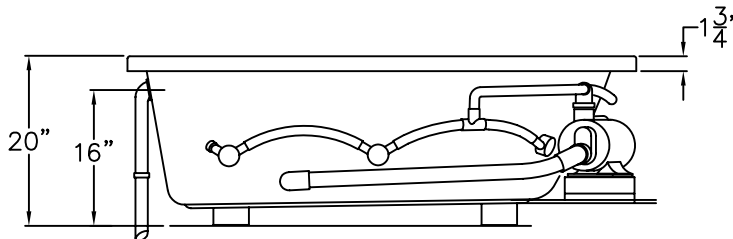
# Luxury Acrylic Series

## SUBMITTAL DATA

TOP VIEW



FRONT VIEW



RN 6036 TO DI ACRYLIC FACED DROP IN BATHTUB.  
 CONFIGURED WITH 6 JET WHIRLPOOL SYSTEM WITH  
 PUMP MOTOR, AND ON/OFF CONTROL.

DUE TO THE NATURE OF THE MATERIALS  
 DIMENSIONS MAY VARY ±1/2"

Job Name:	PRAXIS	
Model No.:	Drawing#: RN 6036 DI WP	
Approved by:	Date Approved:	Date: 4-19-06 Revised: 2-15-12
Rep.:	Wholesaler:	Quote No.:

PRAXIS INDUSTRIES, LLC.  
 435 INDUSTRIAL RD - SAVANNAH, TN 38372  
 1 (800) 443-7269 - FAX (731) 925-4290