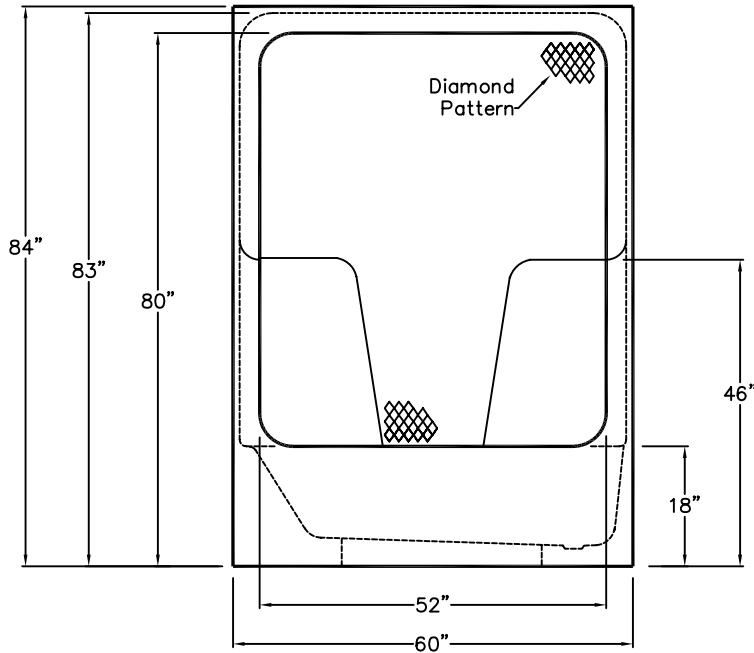


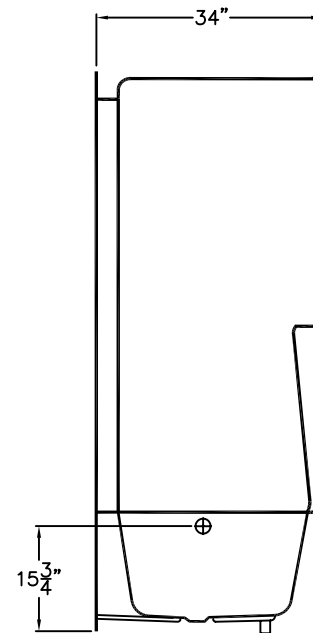
# Luxury Acrylic Series

## SUBMITTAL DATA

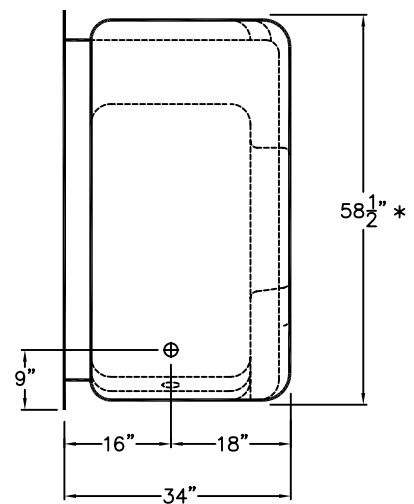
FRONT VIEW



SIDE VIEW



TOP VIEW



60" ACRYLIC TUB SHOWER WITH MOLDED SOAP LEDGES ON THE BACK WALL, DIAMOND PATTERN ON THE BACK WALL, AND LEFT OR RIGHT DRAIN LOCATION.

UNIT COMPLIES WITH ANSI Z124.1-2, NAHB, AND UPC.

ROUGH-IN DIMENSION: 58 1/2 x 35" x 84".

DIMENSION NOT TO SCALE. INDICATES MINIMUM CLEARANCE.

OPTIONAL ACRYLIC TOWEL BAR AVAILABLE.

DUE TO THE NATURE OF THE MATERIALS DIMENSIONS MAY VARY ± 1/2"

Job Name:	AQUARIUS	
Model No.:	Drawing#: A 6014 TS	
Approved by:	Date Approved:	Date: 6-20-07    Revised: 5-27-13
Rep.:	Wholesaler:	Quote No.:

PRAXIS INDUSTRIES, INC.  
 435 INDUSTRIAL RD - SAVANNAH, TN 38372  
 1 (800) 443-7269 - FAX (901) 925-4290