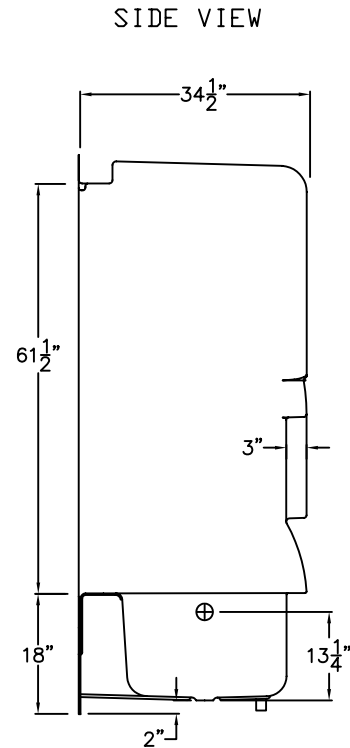
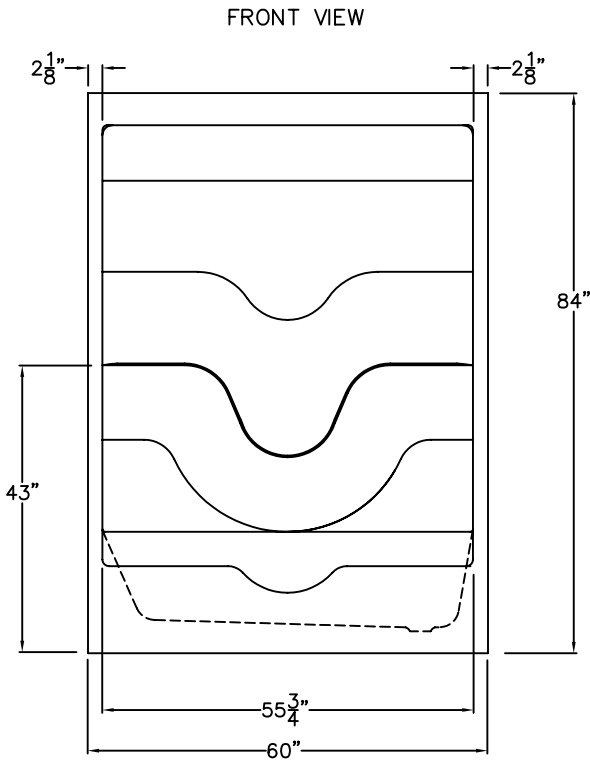
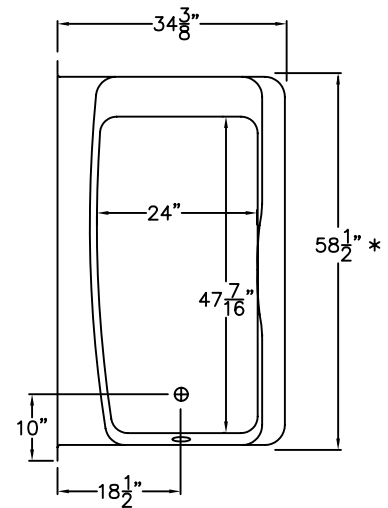


Luxury Acrylic Series

SUBMITTAL DATA



TOP VIEW



60" ACRYLIC TUB SHOWER WITH MOLDED SOAP LEDGES ON THE BACK WALL, AND LEFT OR RIGHT DRAIN LOCATION.

UNIT COMPLIES WITH ANSI Z124.1-2, NAHB, AND UPC.

ROUGH-IN DIMENSION: 58 1/2 x 35 3/8 x 84".

* DIMENSION NOT TO SCALE. INDICATES MINIMUM CLEARANCE.

OPTIONAL ACRYLIC TOWEL BAR AVAILABLE.

DUE TO THE NATURE OF THE MATERIALS DIMENSIONS MAY VARY ± 1/2"

Job Name:	AQUARIUS	
Model No.:	Drawing#: A 6034 TS CS	
Approved by:	Date Approved:	Date: 5-17-07 Revised: 6-3-13
Rep.:	Wholesaler:	Quote No.:

PRAXIS INDUSTRIES, INC.
 ROUTE 1, BOX 46D - SAVANNAH, TN 38372
 1 (800) 443-7269 - FAX (901) 925-4290