

SAFE. ACCESSIBLE.
BATHING SOLUTIONS.

MyPlace™ AcrylX™ multi-piece showers

MP 5436 BF 5P 1.0 L R

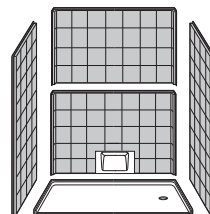
OUTER DIMENSION	54" x 36.875" x 77.75"
ENCLOSURE (up to)	51.75" x 76.75"
THRESHOLD	1" Barrier Free
DRAIN	Left or Right
HANDED	Drain
SHIPPING WEIGHT	450
LOAD FACTOR	2.4
TRUCK LOAD FACTOR	1.5



Barrier Free
Threshold



AcrylX™
Finish



NOTES

*COL Change of level threshold has a manageable 0.25" vertical rise to easily coordinate with minimum finished flooring.

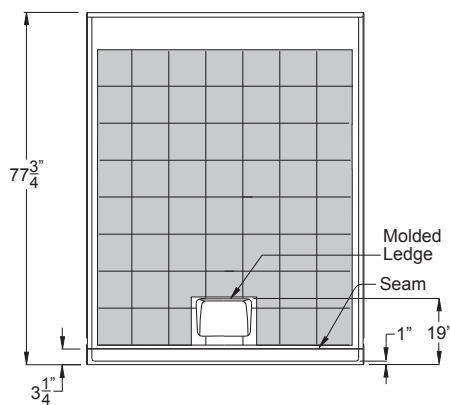
CODES IPC, UPC, ANSI Z 124.2 NAHB, HUD and FHA.

EasyBase™ Self-supporting and pre-levelled shower base, EasyBase™, is standard on all barrier free multi-piece showers. EasyBase™ is not offered on EasyStep™ models.

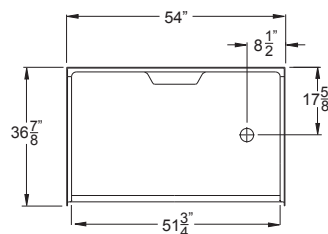
BACKING All multi-piece showers are offered standard with reinforced walls.

RAPID SHIP All multi-piece showers are in stock for rapid shipment - ships in four business days.

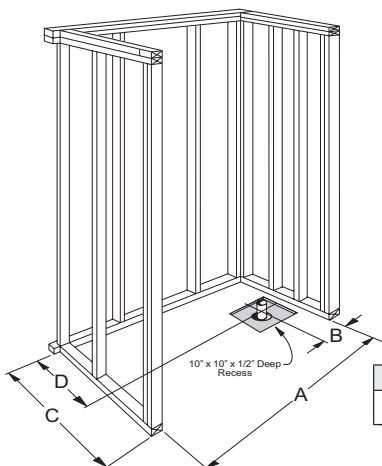
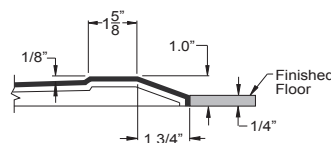
WARRANTY All multi-piece showers are offered with an unprecedented thirty year limited warranty.



gray shading represents wood backing



1.0" Barrier Free



A	B	C	D
54.25"	8.5625"	36.875"	17.625"

Due to the nature of the materials, dimensions may vary +/- 0.5".



THE PRAXIS COMPANIES | praxiscompanies.com
customer service 800.443.7269