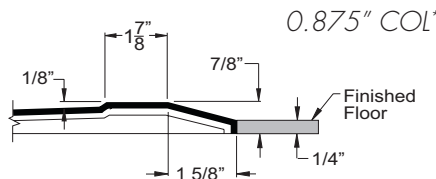
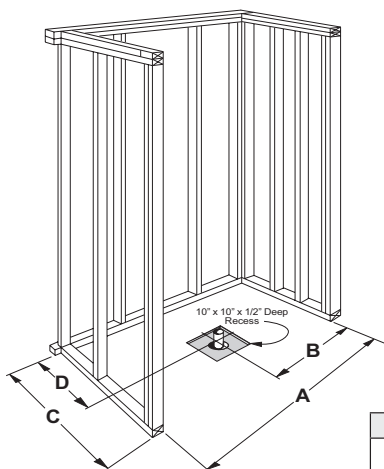
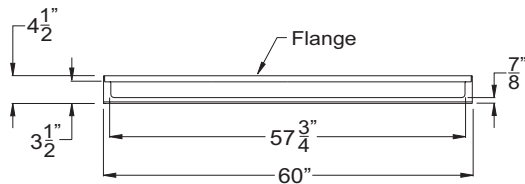
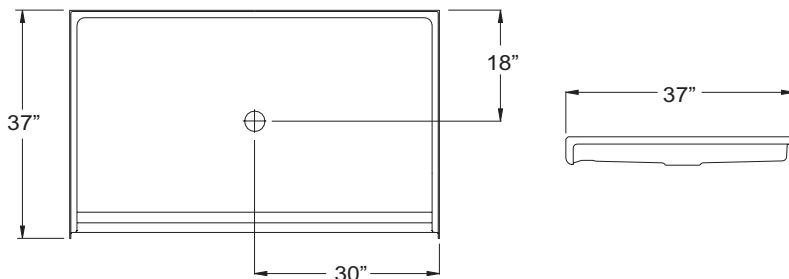
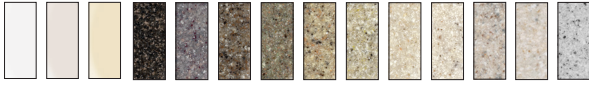


SAFE. ACCESSIBLE.  
BATHING SOLUTIONS.

**UPGRADE** to solid surface



A	B	C	D
60.25"	30.125"	37.25"	18.125"

**MyPlace™ AcrylX™** shower bases

**MPB 6036 BF .875 C**

OUTER DIMENSION	60" x 37" x 4.5"
THRESHOLD	0.875" COL*
DRAIN	Center
HANDED	Drain
SHIPPING WEIGHT	63
LOAD FACTOR	0.24
TRUCK LOAD FACTOR	0.24



Barrier Free  
Threshold



Solid Surface  
Finish



AcrylX™  
Finish

NOTES

\*COL Change of level threshold has a manageable 0.25" vertical rise to easily coordinate with minimum finished flooring.

**CODES** code compliant with IPC, UPC, and ANSI Z 124.2 only.

**EasyBase™** Self-supporting and pre-leveled shower base, EasyBase™, is standard on all barrier free shower bases. EasyBase™ is not offered on EasyStep™ models.

**RAPID SHIP** All shower bases are in stock for rapid shipment - ships in four business days.

**WARRANTY** All shower bases are offered with an unprecedented thirty year limited warranty.



THE PRAXIS COMPANIES | praxiscompanies.com  
customer service 800.443.7269

Due to the nature of the materials, dimensions may vary +/- 0.5".