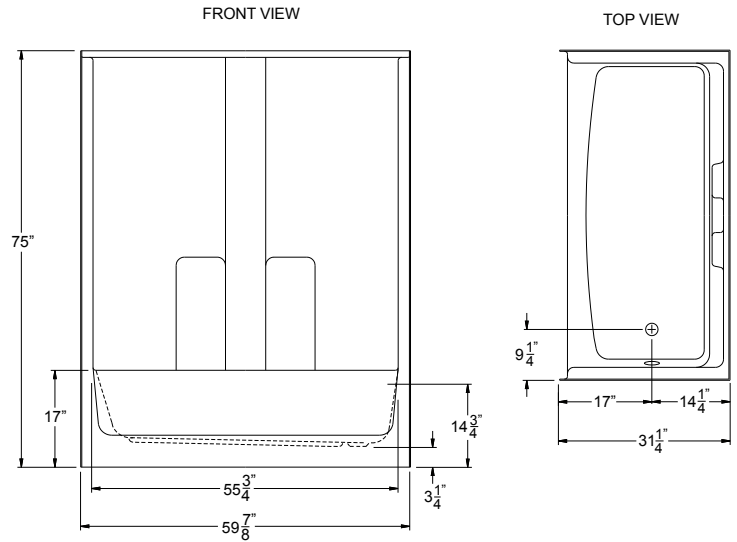




G 6030 TS

59.875" × 31.25" × 74.875"
Enclosure: up to 55.75" × 56.25"



FEATURES

FINISH	PRODUCT	PIECES	WALL
AcryIX™ Applied Acrylic	Tub Shower	One	Smooth

Due to the nature of the materials, dimensions may vary +/- 0.5".

OPTIONS

WHIRLPOOL	AcryIX™ COLORS	SOLID SURFACE COLORS	ACCESSORIES
N/A	White, Bone, Biscuit	Solids or Naturals	Drain

TECHNICAL INFORMATION

WT	LOAD FACTOR	HANDED BY	CODES
134	0.9	Drain L R	ANSI I24.1, UPC

WARRANTY

AcryIX™ Applied Acrylic - Lifetime Limited
Solid Surface - 10 Year Limited

AVAILABILITY

NORTHEAST	MID / SOUTH
<input type="checkbox"/> Not Available	<input checked="" type="checkbox"/> Standard

