



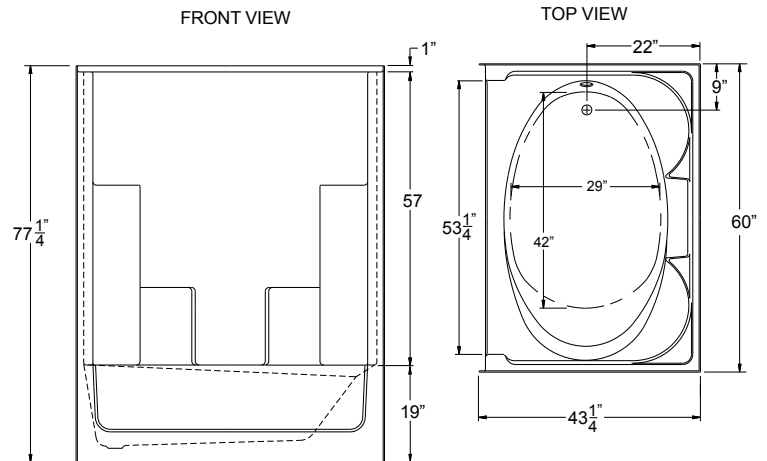
# RESIDENTIAL GELCOAT

Product Sheet

## G 6042 TS CS

60" x 43.25" x 77.25"

Enclosure: up to 53.25" x 57"



### FEATURES

FINISH	PRODUCT	PIECES	WALL
Gelcoat	Tub Shower	One	Smooth

*Due to the nature of the materials, dimensions may vary +/- 0.5".*

### OPTIONS

WHIRLPOOL	GELCOAT COLORS	SOLID SURFACE COLORS	ACCESSORIES
Yes	White, Bone, Biscuit	Solids or Naturals	Drain

### TECHNICAL INFORMATION

WT	LOAD FACTOR	HANDED BY	CODES
155	1.7	Drain L R	ANSI 124.1, UPC

### WARRANTY

Gelcoat - 3 Year Limited  
 Solid Surface - 10 Year Limited

### AVAILABILITY

NORTHEAST	MID / SOUTH
<input checked="" type="checkbox"/> Standard	<input type="checkbox"/> Not Available



**CUSTOMER SERVICE 800.443.7269**

435 Industrial Road | Savannah, TN 38372 | Fax 731.925.4290 | www.praxiscompanies.com

Rev. 122013