

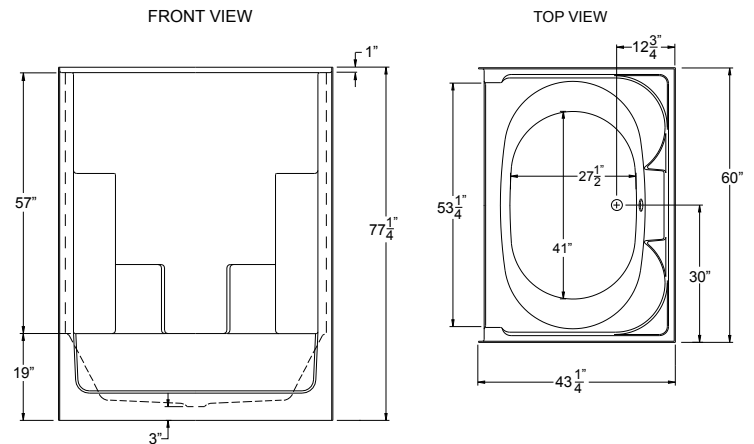


RESIDENTIAL GELCOAT

Product Sheet

G 6042 TS CD

60" x 43.25" x 77.25"
Enclosure: up to 53.25" x 57"



FEATURES

FINISH	PRODUCT	PIECES	WALL
Gelcoat	Tub Shower	One	Smooth

Due to the nature of the materials, dimensions may vary +/- 0.5".

OPTIONS

WHIRLPOOL	GELCOAT COLORS	SOLID SURFACE COLORS	ACCESSORIES
Yes	White, Bone, Biscuit	Solids or Naturals	Drain

TECHNICAL INFORMATION

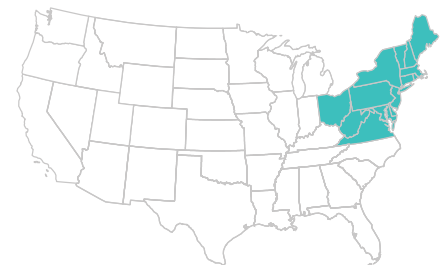
WT	LOAD FACTOR	HANDED BY	CODES
155	1.7	Center Drain	ANSI 124.1, UPC

WARRANTY

Gelcoat - 3 Year Limited
Solid Surface - 10 Year Limited

AVAILABILITY

NORTHEAST	MID / SOUTH
<input checked="" type="checkbox"/> Standard	<input type="checkbox"/> Not Available



CUSTOMER SERVICE 800.443.7269

Rev. 122013

435 Industrial Road | Savannah, TN 38372 | Fax 731.925.4290 | www.praxiscompanies.com