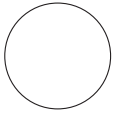


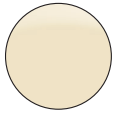
RN RIO 7242 72" x 42" x 21.5"

AirBath option will add 1" to height of unit

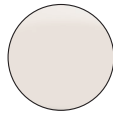
Premium Thermal Cast Acrylic



white



bone



biscuit

Cut-Out
70" x 40"

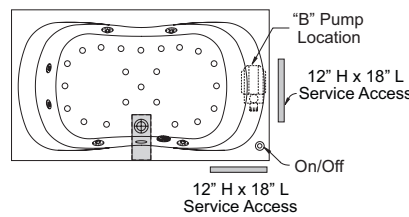
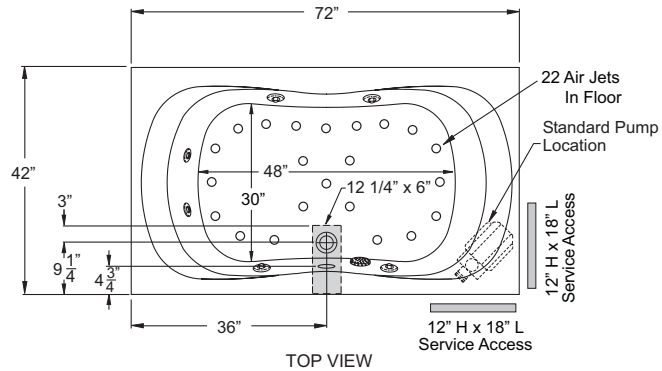
Operating Capacity
59 Gallons

Shipping Weight:
Soaker - 174 lbs
Whirlpool - 204 lbs

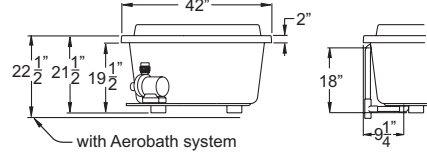
Hydro-Massage System
4 Premium Power-Flow Adjustable Jets
2 Lumbar Ease-Flow Adjustable Jets

Optional Features

- Skirt
Factory installed - Aventura
Field or factory installed - Deco
- Cast Acrylic Nailing Flange
Yes
- In-Line Heater
Yes



ALTERNATE PUMP LOCATION



END VIEW

DRAIN / OVERFLOW

CONTRACTOR ADVANTAGE
soaker tubs | whirlpools | air tubs



soaker tub



whirlpool



airtub

