



DESTINATION COLLECTION

SOAKING TUBS | AEROBATHS | WHIRLPOOLS | AEROWHIRLS

Daytona

Whirlpool 65" x 41" x 23"

AeroWhirl™ 65" x 41" x 24"

WEIGHT

108 lbs Whirlpool/AeroBath™

85 lbs Soaking Tub

CAPACITY

62 Operating Gallons

79 Gallons to Overflow

PUMP / MOTOR

UL listed 2 Hp, 115v, 13 amp 1ph 60hz,

Self-draining

SLOPE TO DRAIN

.25" per Foot

STANDARD EQUIPMENT

- 2 Hp, UL listed Pump
- 6 Multi-Directional, Variable Volume, Hydro-Massage Jets
- 1 Whirly Jet
- Safe Suction Assembly

STANDARD ELECTRICAL REQUIREMENTS

- Pump / Motor - 120v 20amp GFCI protected circuit (Dedicated)
- Optional In-Line Heater - 120v 20amp GFCI protected circuit (Dedicated)

PUMP CONTROL

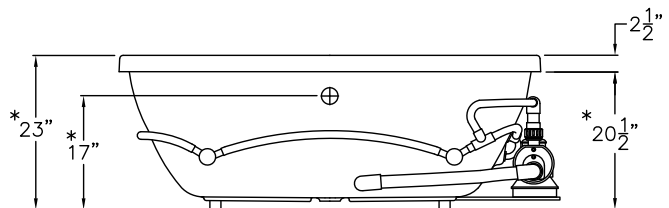
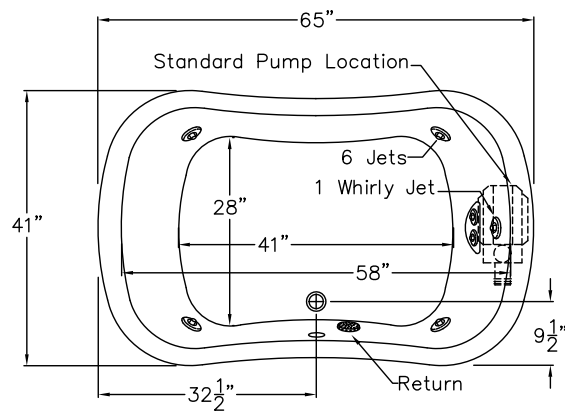
Easi-Install (Installed Air Switch)

PACKAGING

Protective Disposable Installation Liner

WARRANTY

5 Year Limited Warranty



* Add 1" to overall height for AeroBath™ & Combination baths.

** Dimensions with molded tile flange + / - 1/8"

Dimensions & specifications are subject to change without notice.

© American Whirlpool, a division of The Praxis Companies, LLC



DESTINATION COLLECTION

SOAKING TUBS | AEROBATHS | WHIRLPOOLS | AEROWHIRLS

Daytona

CUSTOM OPTIONS

AVAILABLE AS

- Whirlpool Bath
- AeroWhirl™

A luxury Combination Whirlpool Bath
& AeroBath™

OPTIONAL ACCESSORIES

- Special Order Colors
- In-Line Electric Heaters
- Thermo Wave® Non-Electrical Heaters
- Acrylic Hand Rails (pair)
- Accent Trim
- Accent Drains
- Bath Pillows - 12"
- Starburst Color Light System
- Additional Jets
- Ozone Purifying System



The Daytona is shown as a whirlpool in Biscuit

AMERICAN DREAMS LUXURY UPGRADES

**American Dream Luxury Upgrades are not available
on the Daytona 6642**